



诚心·用心·专业·规范

SOLVE YOUR NEEDS WITH SERVICES

# 工程机械润滑系统 选型手册 LUBRICATION SYSTEM FOR CONSTRUCTION MACHINERY

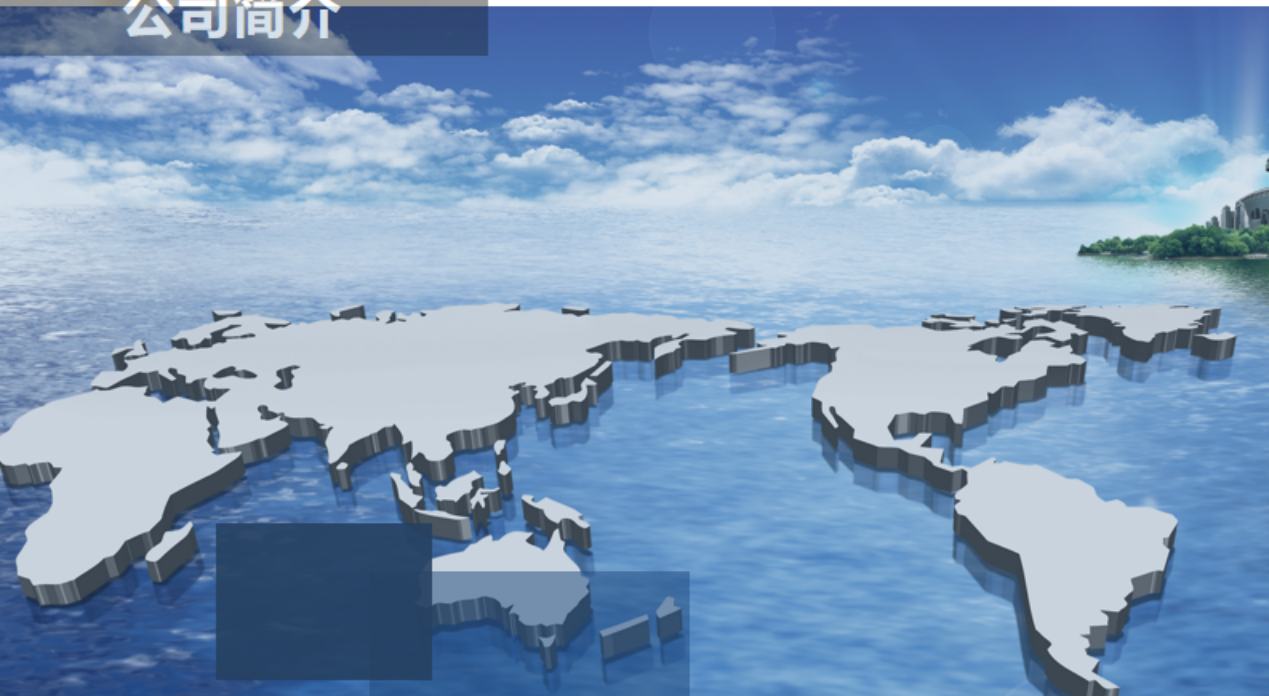


2023 V1.0

LUBRICATION SYSTEM  
FOR  
CONSTRUCTION  
MACHINERY

烟台西索润滑技术有限公司  
Yantai CISO Lubrication Technology Co., Ltd  
山东省烟台市高新区钟三路30号  
TEL: 400-800-9400  
[www.cisolube.com](http://www.cisolube.com)

# 公司简介



## Company<sup>+</sup>

### Introduction

西索润滑技术有限公司，是一家专业研发、生产与销售集中润滑系统和液压设备的高新技术企业，公司生产的集中润滑系统具有稳定性高、可靠性强、密封性好、输出压力高等特点，现销售的产品和服务已覆盖石油化工、风力发电、农业机械、工程机械、轨道交通、医药等行业，是行业内领先的方案解决供应商。

公司秉承“诚信为本，质量第一，用户至上，不断创新”的理念，为客户提供A+的理想解决方案，来满足客户的不同需求，通过多年的研发及生产实践，从产品设计、配件选择、产品组装、成品测试及销售服务方面，保证产品品质。

# 公司证书

ISO 9001:2015  
BEIJING STANDARD CERTIFICATION CENTRE

## 质量管理体系认证证书

注册号: 066-22-Q-0152-R1-5

兹证明  
**烟台西索润滑技术有限公司**  
统一社会信用代码: 91370600MA3M5M600Y

注册地址: 山东省烟台市高新区纬三路30号  
邮编: 264003  
生产/办公地址: 山东省烟台市牟平区臻山路329号  
邮编: 264100

质量管理体系符合  
**GB/T19001-2016/ISO9001:2015**

认证覆盖范围  
普通机械设备(润滑泵站、液压站)的设计、加工及  
所涉及的相关管理活动

发证日期: 2022年01月18日 证书有效期: 2025年01月17日

认证标志:    中国合格评定国家认可委员会  
MANAGEMENT SYSTEM CERTIFICATION

注: 每年01月17日前进行年度审核, 经审核合格证书继续有效, 证书有效期满后应于一周内复测, 也可咨询中心网站 [www.bjzqc.com](http://www.bjzqc.com) 和国家认证认可监督管理委员会官方网站 [www.cnca.gov.cn](http://www.cnca.gov.cn) 之查询确认, 本证书因家规改版各类标识及排版等致致数天内使用有效。

批准号: CNCA-R-2022-004 网址: [www.bjzqc.com](http://www.bjzqc.com) 服务热线: 400-810-0221  
[www.bjzqc.com](http://www.bjzqc.com) [bjzqc@bjzqc.com](mailto:bjzqc@bjzqc.com) 400-10-6470229

ISO 9001:2015  
BEIJING STANDARD CERTIFICATION CENTRE

## QUALITY MANAGEMENT SYSTEM CERTIFICATE

Registration No. 066-22-Q-0152-R1-5

This is to certify that  
**Yantai Cso Lubrication Technology Co., Ltd**

Unified social credit code: 91370600MA3M5M600Y  
Registration Address: No.30 Weisan Road, High-Tech Zone, Yantai City, Shandong  
Province,264003  
Produce / Office Address: No.329 Dao Shan Road, Muping District, Yantai City, Shandong  
Province,264100

Which is in conformity with  
**GB/T19001-2016/ISO9001:2015**

Scope of Certification  
Design, processing of general mechanical equipment (lubrication pump station, hydraulic station) and related management activities

Issue dates: Jan 18,2022 Term of validity: Jan 17,2025

认证标志:    中国合格评定国家认可委员会  
MANAGEMENT SYSTEM CERTIFICATION

NOTE: Validity of this certificate will continue to be effective after the review, please scan the QR code certificate valid state query. Also can query in the center website [www.bjzqc.com](http://www.bjzqc.com), and the CNCA official website [www.cnca.gov.cn](http://www.cnca.gov.cn). This certificate is valid for the period of validity of the state regulations and the validity of the administrative license.

批准号: CNCA-R-2022-004 网址: [www.bjzqc.com](http://www.bjzqc.com) 服务热线: 400-810-0221  
[www.bjzqc.com](http://www.bjzqc.com) [bjzqc@bjzqc.com](mailto:bjzqc@bjzqc.com) 400-10-6470229

# 高新技术企业证书

企业名称: 烟台西索润滑技术有限公司 证书编号: GR202137006965  
发证时间: 2021年12月10日 有效期: 三年  
批准机关:

# 公司证书



## MACHINERY DIRECTIVE ATTESTATION OF CONFORMITY

Technical file of the company mentioned below has been inspected and audit has been completed successfully.

2006/42/EC Machinery Directive Annex VII has been taken as references for these processes.

Company Name : **Yantai CISO Lubrication Technology Co., Ltd**

Company Address : No.30, Chungang Road, Gaoxin District, Yantai City, Shandong Province, China

Related Directives and Annex : **2006/42/EC Machinery Directive/Annex VII**

Related Standards : **EN ISO 12100:2010; EN 40204-1:2018; EN 809:1998+A1:2009**

Product Name : **Electric lubrication pump**

Report No and Date : EASY03222127M

Product Brand/Model/Type : GT-PLUS,GM,GW,GT-MAX,GP-212

Certificate Number : **M.2023.204.CB9410**

Initial Assessment Date : 23.08.2023

Registration Date : 24.08.2023

Release Date/No : -/-

Expiry Date : **23.08.2028**

*[Signature]*  
UDEM International Certification  
Auditing Training Centre Industry  
and Trade Inc., Co.



The validity of the certificate can be checked through [www.udem.com.tr](http://www.udem.com.tr) upon completion of EC declaration of conformity to send copies of the manufacturer's responsibility. The certificate remains the property of UDEM International Certification Auditing Training Centre Industry and Trade Inc., Co. In addition, it must be renewed upon request. The above mentioned has not been a copy of the certificate for 15 years from the registration of certificate. The certificate only covers the production started before and after. Must be notified in case of any changes on the production.  
Address: Mülkiyacılar Mahallesi 2073 Sokak (344 91 Sokak) No:10 Çankaya - Ankara - TÜRKİYE  
Phone: +90 312 443 03 90 Fax: +90 312 443 03 76  
E-mail: [info@udem.com.tr](mailto:info@udem.com.tr) [www.udem.com.tr](http://www.udem.com.tr)



## MACHINERY DIRECTIVE ATTESTATION OF CONFORMITY

Technical file of the company mentioned below has been inspected and audit has been completed successfully.

2006/42/EC Machinery Directive Annex VII has been taken as references for these processes.

Company Name : **Yantai CISO Lubrication Technology Co., Ltd**

Company Address : No.30, Chungang Road, Gaoxin District, Yantai City, Shandong Province, China

Related Directives and Annex : **2006/42/EC Machinery Directive/Annex VII**

Related Standards : **EN ISO 12100:2010; EN 40204-1:2018; EN 809:1998+A1:2009**

Product Name : **Mechanical drive lubrication pump**

Report No and Date : EASY03222128M

Product Brand/Model/Type : FMV,FMV,FMN

Certificate Number : **M.2023.204.CB9412**

Initial Assessment Date : 23.08.2023

Registration Date : 24.08.2023

Release Date/No : -/-

Expiry Date : **23.08.2028**

*[Signature]*  
UDEM International Certification  
Auditing Training Centre Industry  
and Trade Inc., Co.



The validity of the certificate can be checked through [www.udem.com.tr](http://www.udem.com.tr) upon completion of EC declaration of conformity to send copies of the manufacturer's responsibility. The certificate remains the property of UDEM International Certification Auditing Training Centre Industry and Trade Inc., Co. In addition, it must be renewed upon request. The above mentioned has not been a copy of the certificate for 15 years from the registration of certificate. The certificate only covers the production started before and after. Must be notified in case of any changes on the production.  
Address: Mülkiyacılar Mahallesi 2073 Sokak (344 91 Sokak) No:10 Çankaya - Ankara - TÜRKİYE  
Phone: +90 312 443 03 90 Fax: +90 312 443 03 76  
E-mail: [info@udem.com.tr](mailto:info@udem.com.tr) [www.udem.com.tr](http://www.udem.com.tr)



## MACHINERY DIRECTIVE ATTESTATION OF CONFORMITY

Technical file of the company mentioned below has been inspected and audit has been completed successfully.

2006/42/EC Machinery Directive Annex VII has been taken as references for these processes.

Company Name : **Yantai CISO Lubrication Technology Co., Ltd**

Company Address : No.30, Chungang Road, Gaoxin District, Yantai City, Shandong Province, China

Related Directives and Annex : **2006/42/EC Machinery Directive/Annex VII**

Related Standards : **EN ISO 12100:2010; EN 40204-1:2018**

Product Name : **Distributor**

Report No and Date : EASY03222129M

Product Brand/Model/Type : DDP,DPP,DGO,DIL

Certificate Number : **M.2023.204.CB9411**

Initial Assessment Date : 23.08.2023

Registration Date : 24.08.2023

Release Date/No : -/-

Expiry Date : **23.08.2028**

*[Signature]*  
UDEM International Certification  
Auditing Training Centre Industry  
and Trade Inc., Co.



The validity of the certificate can be checked through [www.udem.com.tr](http://www.udem.com.tr) upon completion of EC declaration of conformity to send copies of the manufacturer's responsibility. The certificate remains the property of UDEM International Certification Auditing Training Centre Industry and Trade Inc., Co. In addition, it must be renewed upon request. The above mentioned has not been a copy of the certificate for 15 years from the registration of certificate. The certificate only covers the production started before and after. Must be notified in case of any changes on the production.  
Address: Mülkiyacılar Mahallesi 2073 Sokak (344 91 Sokak) No:10 Çankaya - Ankara - TÜRKİYE  
Phone: +90 312 443 03 90 Fax: +90 312 443 03 76  
E-mail: [info@udem.com.tr](mailto:info@udem.com.tr) [www.udem.com.tr](http://www.udem.com.tr)

# CISOLUBE CATALOG

2023

[www.cisolube.com](http://www.cisolube.com)

# 目录

## CONTENTS<sup>+</sup>

---

递进式润滑系统.....	1-5
Progressive lubrication system	
GT 润滑泵.....	6-13
GT pump	
GM 润滑泵.....	14-19
GM pump	
GW 润滑泵.....	20-23
GW pump	
VSP分配阀.....	24-27
VSP distribution	
DSS分配阀.....	28-32
DSS distribution	
DSP分配阀 .....	33-39
DSP distribution	
VB分配阀 .....	41-44
VB distribution	
VE分配阀 .....	45-48
VE distribution	
单线式润滑系统 .....	49-53
Single-line lubrication system	
GT-Max润滑泵.....	54-56
GT-Max pump	
GMS 润滑泵.....	57-59
GMS pump	
GTS 润滑泵.....	60-63
GTS pump	
MV 计量阀 .....	64-67
MV Metering Valves	
55V 计量阀 .....	68-70
55V Metering Valves	
VL-32 计量阀 .....	71-72
VL-32 Metering Valves	
VL-1、VL-1X 计量阀 .....	73-75
VL-1、VL-1X Metering Valves	
润滑系统配件.....	76-90
lubrication parts	

## 递进式润滑系统 Progressive lubrication system

适用于润滑剂为稀油、流动脂、脂的高压大型系统  
For oil, fluid grease and grease lubrication system

### 特点

- 结构紧凑、拓展容易
- 可加载检测功能
- 管路通畅无残留
- 宽剂量范围
- 分配器内部集成单向阀

### Characteristic

- Compact, flexible kit
- Monitored function
- Channels flow through completely
- Wide range of use
- Integrated return valve inside

### 系统组成

- 手动泵、气动泵、电动泵
- 主管路
- 递进式分配阀
- 分管路
- 螺纹接头
- 控制和监测装置

### The system components

- Manual, pneumatic and electrical pumps
- Main lines
- Progressive distributor
- Line to the lubrication point
- Screwed fittings
- Control and monitoring devices

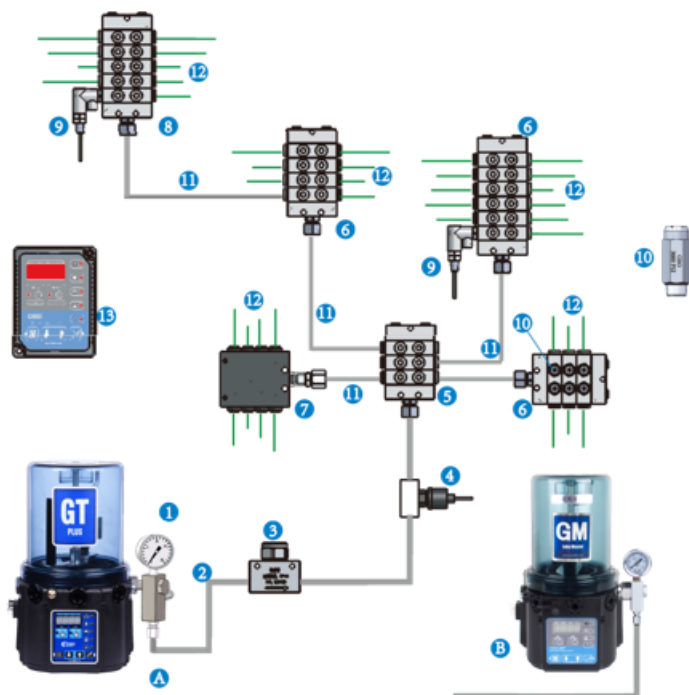
### 功能原理

泵使润滑剂从主管路，流向各级递进式分配器，“递进式”的输送到各个润滑点。  
递进式分配器的工作循环由目视或者电子控制系统来监控

### The function

The lubricant is pumped through the main lines to the progressive distributor with the pump.  
The lubricant is delivered "progressively" to the friction point.  
The circulation of a progressive distributor is monitored optically or electrically.

结构示意图 Struture diagram:



- A - GT 润滑泵
- B - GM 润滑泵
- 1 - 出口安全阀组件
- 2 - 主管路
- 3 - 过滤器
- 4 - 控制元件 (压力开关)
- 5 - 片式递进式分配器 (1级)
- 6 - 片式递进式分配器 (2级)
- 7 - 块式递进式分配器 (2级)
- 8 - 片式递进式分配器 (3级)
- 9 - 电子监控
- 10 - 故障监控
- 11 - 管路
- 12 - 至润滑点的支路
- 13 - 控制装置

- A - GT Lubrication pump
- B - GM Lubrication pump
- 1 - Outlet relief valve elements
- 2 - Main line
- 3 - Filter
- 4 - pressure switch
- 5 - progressive distributor (1generation)
- 6 - progressive distributor (2generation)
- 7 - progressive distributor (2generation)
- 8 - progressive distributor (3generation)
- 9 - Function control
- 10 - Fault Monitoring
- 11 - Pipes and hoses
- 12 - Line to the lubrication point
- 13 - Controller



## 递进式润滑系统概述 progressive lubrication system description

**1. 结构和设计原理 Construction and design:**

递进式润滑系统由润滑泵和多个递进式分配器组成。分配器配备一个循环监控器。后面连接必要的管路、管衔接件和固定元件。压力监测指示器安装在每个递进式的分配器入口处，对功能控制更加有保障。

The progressive lubrication system comprises a feed pump and progressive distributors, whereby, the distributor is equipped with a circulation control. In addition there are the necessary pipelines, threaded pipe fittings and fastening components. Pressure indicator in the inlet of the respective progressive distributor, are additionally helpful for function control.

系统的设计取决于要连接的润滑点的数量和润滑剂剂量的要求。如果一个分配器不能满足所有的润滑点，那么就必须设计一个分配器作为主分配器，主分配器连接次级分配器，整个系统最多可以有三级分配器。

The design of the system depends on the number of lubrication points to be connected and the grease dose requirements. If a distributor cannot meet all the lubrication points, then a distributor must be designed to act as a primary distributor, and the primary distributor is connected to the secondary distributor, and the whole system can have up to three levels of distributors.

润滑泵安装在机器上较易触及的地方，这样才能适时方便地为润滑泵油箱注油。递进式分配器则要尽可能接近润滑点。

The lubrication pump should be assembled on an easily accessible position of the machine, so that uncomplicated refilling of the container is possible. The progressive distributor should be assembled as close to the lubrication points as possible.

管路的设计必须能够承受最大泵压，最好使用钢管。如果有需要移动的润滑点，需使用适合尺寸的高压软管，长度尽可能地短，以保证剂量准确。因为软管高压下会膨胀，增加管路对润滑剂的损耗，致使短暂剂量不能保证。缩短高压软管的使用，还可以避免快速高压对润滑剂产生的负面反应。

The line system must be designed such that it can take maximum pump pressure. Preferably steel pipes are laid. If mobile lubrication points are to be lubricated, high pressure hoses of appropriate dimension must be used. The length of the high pressure hoses should be kept as short as possible, as these expand under pressure and can intake appropriate lubricant quantity. Timely secure feeding of the lubricant is thus no longer guaranteed. Moreover, like for air inclusions, a quick pressure suppression, which may affect the lubricant adversely, is prevented. Only lubrication lines, i.e. lines directly leading from the distributor to the lubrication point, can be laid in polyamide pipe, if it is ensured that the permissible operating pressure of the pipe shall not be exceeded.

建议根据管路长度来考虑管路尺寸，以便保证较低的工作压力（小于80bar）。低压泵对整个系统的运行更加有益。高压会使得润滑剂变性，所以气动泵必须尽量选择低压泵。线路中加设节流阀同样有降低泵压的效果。

it is recommended to select the cross sections of the pipeline according to the length of the pipes so that only little operating pressure (less than 80 bar) is required. Slow action pumps are beneficial. Higher pressure changes the lubricants adversely. Hence, possibly low operating pressure must be selected in the pneumatic pumps. The pumping pressure can also be reduced through a throttle in the air line.

**2. 工作模式 Mode of action:**

泵将润滑剂注入主管路、各级分配器、管路，直至润滑点。计量元件控制润滑剂的剂量，系统内集成监控元件。<sup>3</sup>

例如，分配器不工作、或由分配器内计量螺栓油污失灵，可以由循环监控检测出来，系统报错，即循环监控在监控时间内无报告信号。

The lubricant is pumped into the main line by actuating the pump and fed to the connected progressive distributor. The lubricant is distributed over the number of outlets of the distributor and then delivered to the lubrication points or fed to another downstream progressive distributor, divided there and dispensed to the connected lubrication points. Dosing is done as per the selection of the dosing elements with different flow rates. A circulation control detects every circulation of the system. If a progressive distributor cannot deliver its lubricant or if a piston is blocked e.g. due to contamination, the system reports fault i.e. the circulation control has not reported within the monitoring time.

Particularly for large systems, which are operated with grease, it is essential to start the system step-wise from the lubrication point to the pump i.e. lubrication points, lines and progressive distributor must be pre-filled individually. The pressure requirement of individual segments of the system can thus be checked directly. Pay attention that the lubricant is refilled on time, for preventing air bubbles in the system. Else the complete system must be re-ventilated.

#### **3.启动 Start-up:**

启动前，必须用洗净的注油装置或者注油桶泵向泵内注油。确保注油过程中没有气泡。润滑泵配置随动活塞，来保证润滑剂的清洁无气。接下来依次给泵和递进式分配器排气，连续泵出润滑剂直至无气的润滑剂流出，至主分配器所有出口，再至各级分配器。

特殊情况例如以脂作为润滑剂的大型设备润滑系统，需要从润滑点、递进式分配器至泵分别填充洁净润滑剂，由此测定系统各部分的压力。保证润滑剂及时补充添加，避免系统进气，否则系统需要重新排气。

Before start-up, the pump must be filled with clean grease without any air bubbles. It is important that the pump is filled using a filling or barrel pump. The barrel pumps must be equipped with follow\_x0002\_up piston. Clean and air-bubble-free filling can thus be ensured. A cartridge pump with pre-filled cartridges may also be used for small consumption quantities.

Then the pump and subsequently the progressive distributor must be ventilated. Pumping follows till bubble-free lubricant appears first on the pump and then on all the outlets of the main distributor and subsequently on the downstream progressive distributors.

Particularly for large systems, which are operated with grease, it is essential to start the system step-wise from the lubrication point to the pump i.e. lubrication points, lines and progressive distributor must be pre-filled individually. The pressure requirement of individual segments of the system can thus be checked directly. Pay attention that the lubricant is refilled on time, for preventing air bubbles in the system. Else the complete system must be re-ventilated.

#### **4.安装 Assembly:**

递进式分配器的安装表面必须平坦，这样在拧紧时外壳不会变形。有需要的话，可以使用垫圈来校准。

递进式分配器的所有出口口必须保持通畅。确保绝对的洁净，泵、递进式分配器、特别是管路及连接件必须在安装前清洁完毕。

The fastening surface of the progressive distributor must be plane, so that the housing is not braced while screwing. If required, washers may be required for alignment. Outlet bore of the progressive

## 递进式润滑系统概述 progressive lubrication system description

distributor must be closed. Cleanliness must be observed. Pumps, progressive distributor and particularly the pipelines and fittings must be cleaned thoroughly prior to the assembly.

### 5. 润滑剂 Lubricant:

一般来讲，递进式润滑系统选用矿物脂作为润滑剂，粘度高于265 (1/10mm)，NLGI-000-2。如非必要，尽可能不要使用混合油脂。如必须使用混合油脂，则需保证同属一类矿物皂基。

Generally, grease can be dispensed based on mineral oil that shows a walk penetration more than 265 (1/10 mm), NLGI-Klasse 000 - 2 in the bielomatik progressive lubrication system. Greases must not be mixed. In exceptional case.

### 6. 维修保养及故障检修 Maintenance:

定期检查系统的密封性和油箱油量

若循环监视器响应，原因可能是：

- a) 油箱或各个油桶无油
- b) 泵未排空或者故障
- c) 系统由于高压产生堵塞
  - 润滑管路不通
  - 润滑点及附近管路不通
  - 随意关闭递进式分配器的某些出口
  - 递进式分配器的活塞卡住（变形或污损）
  - 递进式分配器中的导管关闭
  - 递进式分配器中所有的活塞处于中位

如果系统产生堵塞，故障可能出现在系统的很多地方。堵塞处会过压，栓销会凸出，由此来定位分配器临近的堵塞点

Impermeability of the system and the container fill level must be checked at regular intervals. A fault occurs if the circulation control has not responded within the monitoring time.

Reasons:

- a) Container or barrel empty.
- b) Pump not ventilated or defective.
- c) System blocks at high pump pressure.
  - Lubrication line closed
  - Lubrication point or its channel closed
  - Outlet on the progressive distributor closed unauthorised
  - Piston in the progressive distributor fits tightly (bracing, contamination)
  - Channel within the progressive distributor closed due to contamination.
  - All pistons of a progressive distributor are at centre position.

In case the system is blocked, fault may occur at any location in the system. There is overpressure at the blocked location, which is signalled to the relevant pressure indicator by a protruding pin. Source of fault can thus be localised on a secondary distributor.

GT  
PLUS

# GT 电动润滑泵

- 可输送稀油和油脂
- 多样的补脂方式
- 强大的集中控制系统
- 多种电压可选

## 特性

### Characteristics

- 可以输送稀油和油脂

Pump oil and grease

- 容积 Reservoirs :

2L

4L

6L

8L

12L

- 电压 Voltages :

12VDC

24VDC

220V

380V

- 多样的补脂方式

Multiple grease filling

ways

- 强大的集中控制系统

Powerful centralized

control system

- CE认证

CE Certification

- 外观专利

Design patent

- IP65

## 泵体坚固，功能强大

## THE SMALL PUMP PACKAGE WITH BIG FEATURES

### 先进的设计和解决方案

### DESIGN AND ADVANCED SOLUTIONS

GT 是一款高压柱塞泵，最多可配五个泵元件。其设计特别适用于递进或者单线系统，

GT is a piston pump, predisposed to operate with a maximum of five pumping units, its design is particularly suitable for progressive systems or single-line systems.

可同时给五个独立线路润滑

Five independent line lubrication at the same time.

出口可合并增加排量

Output can be combined and increase displacement

特殊的本体材料，达到非常优异的抗震功能

With special materials, to achieve excellent anti-shock ability

特别的泵罐设计，易于观察油位并能有效阻隔紫外线照射，有效防止润滑油变质  
具备低液位内部报警，带闪烁蜂鸣。也可以选择信号输出

Special design of pump make it easy to observe the oil level and prevent UV radiation, prevent oil deterioration. With low liquid level alarm, flashing buzzer. Also can choose the type of output.

### 具备两种型号模式 **There are two model modes:**

**标准：**由外部PLC管理。不带内置控制单元，因此是润滑系统中更加经济的解决方案。

**Standard:** can be managed by an external PLC. Since it does not come with an internal control unit, this is the most economic solution for lubricating your systems.

**自动：**带集成控制系统，可本地设置运行时间。配备本地运行及报警指示灯，报警带蜂鸣，提供低液位及脉冲报警，可与分配元件的监控器组合成一套完美的运行系统。

**Automatic:** With integrated control system, which can be set up local running time. Equipped with local operation and alarm light, alarm with buzzer, provide low level and pulse alarm, which can be combined with the monitor of distribution units into a perfect operating system.



## 应用 Application

- 工程机械

Construction

machinery

- 农业装备

Agricultural

equipment

- 风电设备

Wind power

equipment

- 压力机

Press machine

- 矿山设备

Mining equipment

- 船舶海洋

Ship and Marine

engineering

- 食品饮料

Food and drinking

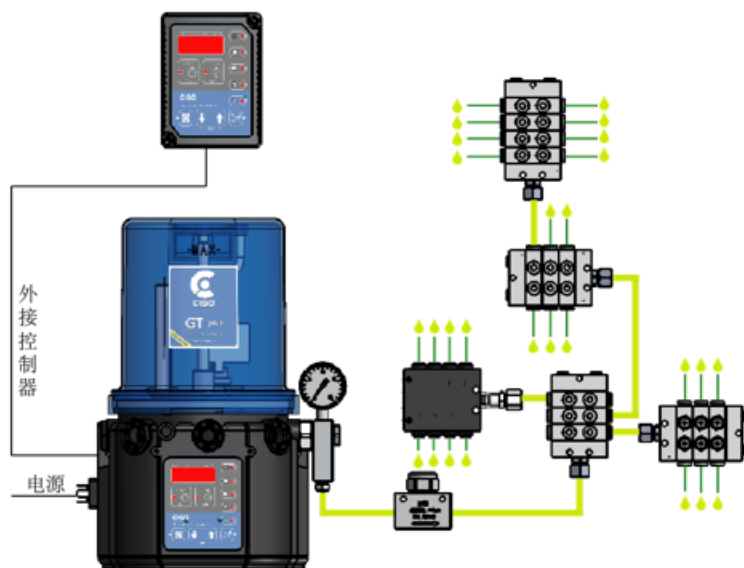
- 纺织设备

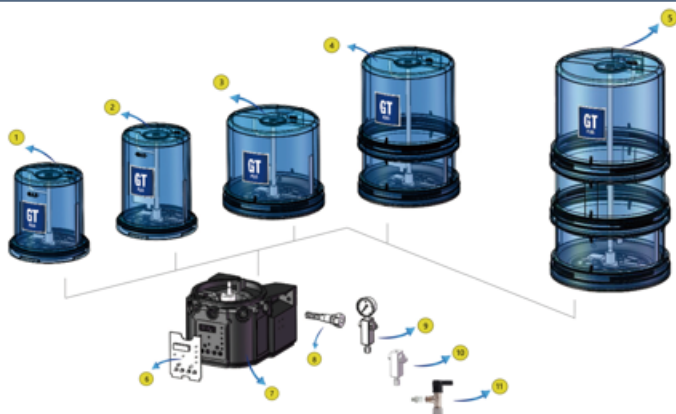
Textile

技术信息 Technical information:

基本技术参数 Technical characteristics	
泵输出单元 Unit of pump outlets	最多5出口 Max. 5 outlets
出口螺纹 Outlet thread	G1/4
额定流量 Rated flow	2ml、3ml、4ml/min
运行压力 Operating pressure	Max. 35MPa
油箱容积 Reservoir Capacity	2、4、6、8、12L
润滑剂 Lubricants	OIL、000、00、0、1、2
使用温度 Operating temperatures	-40 - 90°C

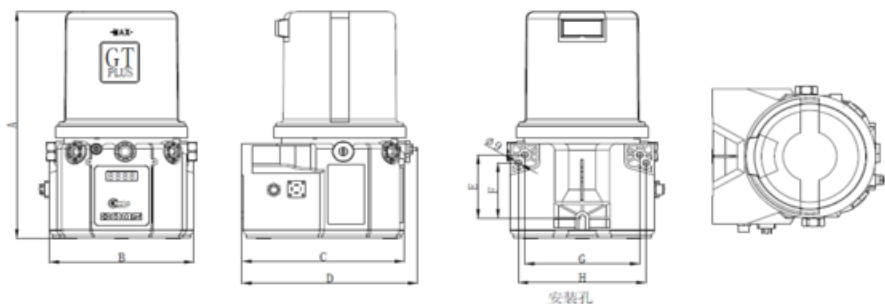
系统案例 System production case:





NO.	部件名称 Part	NO.	部件名称 Part
1	2L泵罐 2L Pump Tank	7	泵底座 Pump base
2	4L泵罐 4L Pump Tank	8	GT 泵柱塞 GT Pumping Element
3	6L泵罐 6L Pump Tank	9	泵出口组件 (带压力表) Pump outlet assembly (With pressure gauge)
4	8L泵罐 8L Pump Tank	10	泵出口组件 (不带压力表) Pump outlet assembly (Without pressure gauge)
5	12L泵罐 12L Pump Tank	11	安全阀 Relief valve
6	控制面板 Control panel		

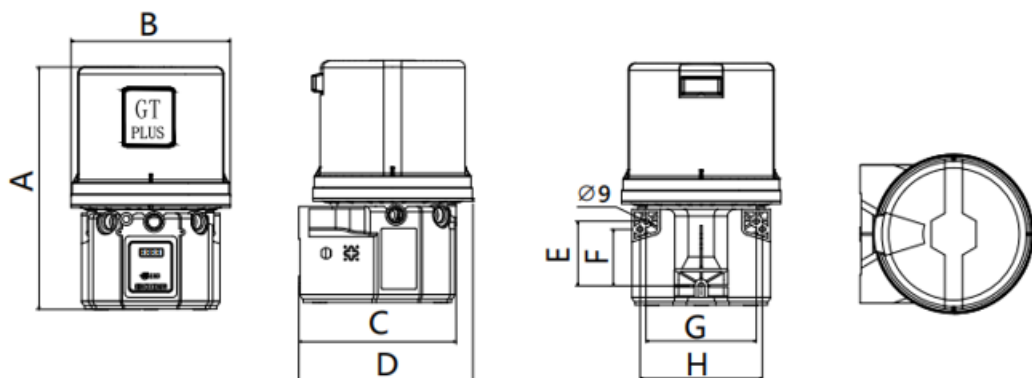
### 2L & 4L 尺寸 Dimensions(mm):



容积 Reservoirs	A	B	C	D	E	F	G	H
2L	338	204	231.5	248	95.5	83.5	162.5	180
4L	378	204	231.5	248	95.5	83.5	162.5	180

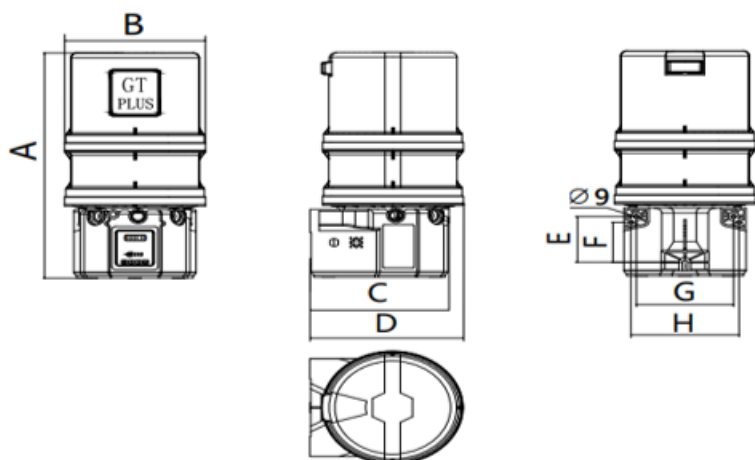
# GT润滑泵 GT Lubrication pump

## 6L 尺寸 Dimensions (mm):



容量 Reservoirs	A	B	C	D	E	F	G	H
6L	358	235	231.5	256.5	95.5	83.5	162.5	180

## 8L & 12L 尺寸 Dimensions (mm):



容量 Reservoirs	A	B	C	D	E	F	G	H
8L	471	235	231.5	256.5	95.5	83.5	162.5	180.5
12L	585	235	231.5	256.5	95.5	83.5	162.5	180.5



## 控制系统 Control System:

- 清晰地显示面板  
Clear panel
- 可编程设计程序  
Programs that can be designed
- 可设计密码保护  
It can be password protected
- 蜂鸣报警  
Sound alarm
- 低液位报警  
Low level alarm
- 接近开关计数  
Accept proximity switch
- 优良的抗震功能  
Excellent shock resistance
- 预润滑功能  
pre lubrication button
- IP65



- 1 易于读数的LED显示屏
- 2 清晰易辨的开/关指示
- 3 向左、复位功能
- 4 易于使用的导航键
- 5 润滑系统关机报警信号
- 6 润滑系统关机前的预警关机信号
- 7 低液位指示
- 8 控制装置访问受密码保护
- 9 预润滑功能
- 10 向右、手动运行、回车功能

同时按住“↑”+“↓”3秒钟即可进入设置模式。按“←”进入翻页浏览

### 设置运行时间

- 与 ON (运行) 部分时钟相邻的LED 点亮, 表示您正在设置开机时间参数。可按“↑”或“↓”调整时间。时间可设为分钟和秒 (MM: SS)

### 设置关机时间

- 与 OFF (关机) 部分时钟相邻的LED 点亮, 表示您正在设置关机时间参数。可按“↑”或“↓”调整时间。关机时间设为小时和分钟 (HH: MM)

按“←”键运行

订购信息 Ordering information:

1、订购用于上部润滑脂盖的GT泵。请在标准零件号后面加上-C。例如:20D220-C  
 Order the GT-PLUS pump for the upper grease cover. Please add -C after the standard part number.  
 For example:20D220-C

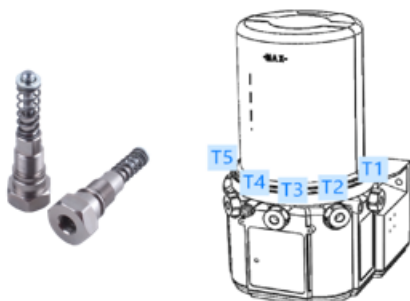


2、每台GT泵出厂时在T1位置都配置了一个泵元件。客户可以加购泵元件安装在T2至T5位置。

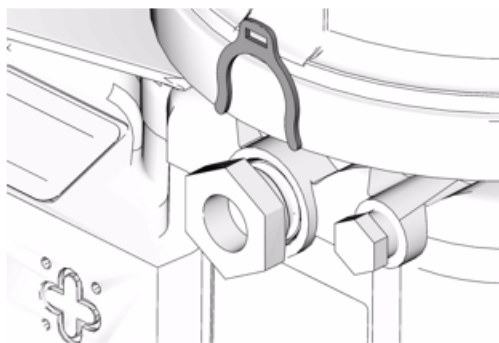
Every factory GT pump is equipped with a pump element at the T1 position. Customers can purchase pump element and install them in positions T2 through T5!

该选项仅适用于K6泵头，如选用其它型号，请咨询客服。

Only suitable for K6, if you choose other pump head, please consult customer service.



3、流量可通过垫片调节。泵排量设置可以使用0、1或2个垫片。禁止使用2个以上垫片  
 Displacement can be adjusted by shims. Pump displacement settings can use 0, 1 or 2 spacers. More than 2 spacers are prohibited



垫片数量 No. Spacers	输出流量/分钟 Output Volume/Minute	
	立方英寸 cubic inches	立方厘米 cubic cm
2	0.12	2
1	0.18	3
0	0.25	4

## 多种补脂方式 Fill grease type:

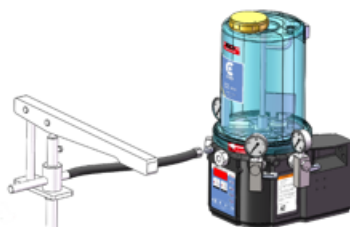
- ① 手动黄油枪补脂  
with grease gun kits



- ② 油脂包补脂  
with cartridge



- ③ 手动泵补脂  
with hand pump



## 订购信息 Ordering information:

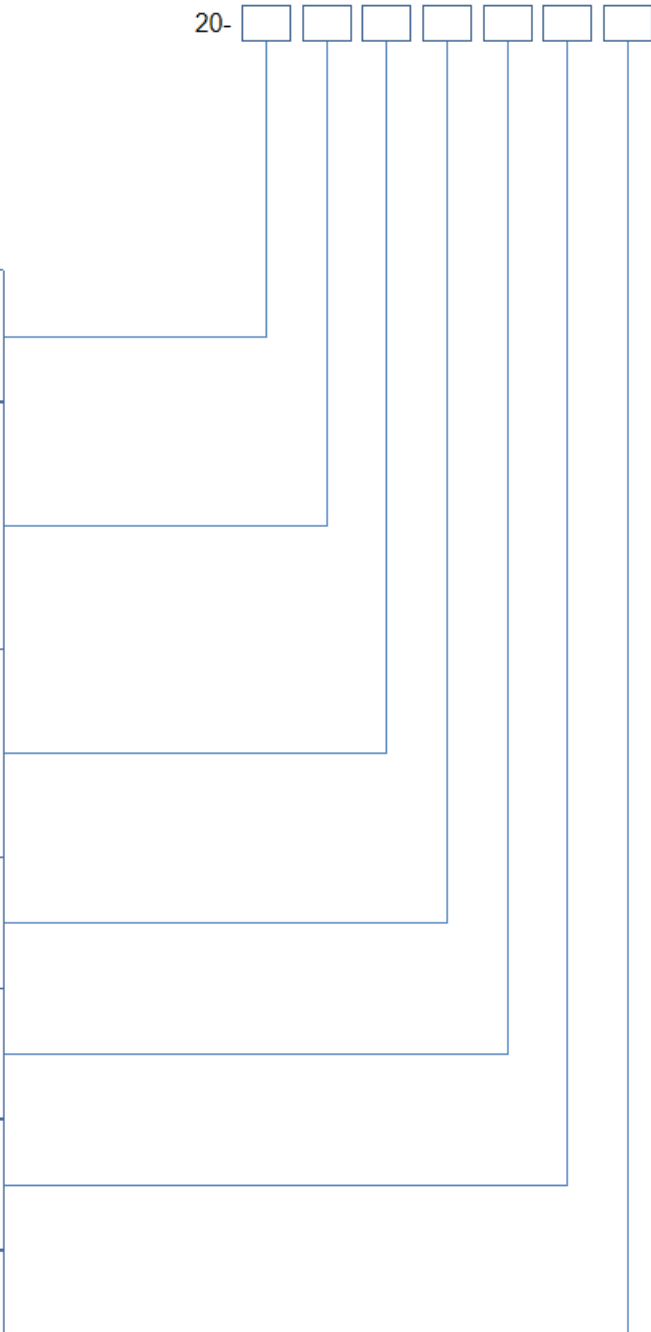
名称 Name	型号 Part number	容积 Reservoirs	电压 Voltages	类型 Type
GT pump	20D221	2L	12V	带控制 With timer
	20D241	2L	24V	
	20D421	4L	12V	
	20D441	4L	24V	
	20D226	2L	12V	不带控制 Without timer
	20D246	2L	24V	
	20D426	4L	12V	
	20D446	4L	24V	

更多型号, 详见第13页。See page 13 for more models.



20-

<p><b>类型 Type</b>                  D = 搅拌杆 stirrer                  E = 压油盘 with follower plate</p>
<p><b>容积 Reservoir</b>                  2 = 2L                  4 = 4L                  6 = 6L                  8 = 8L                  12 = 12L</p>
<p><b>电压 Voltages</b>                  2=12VDC                  4=24VDC                  6=220V                  8=380V</p>
<p><b>控制系统 Timer</b>                  1 = with timer                  6 = without timer</p>
<p><b>低液位 Low Level</b>                  L = with level                  M = without level</p>
<p><b>润滑剂 Lubricant</b>                  G = Grease                  O = Oil</p>
<p><b>补脂方式 Fill Type</b>                  Blank = Grease Nipples                  F = Quick connection                  C = Top cap</p>





# GM

Lube Master

[www.cisolube.com](http://www.cisolube.com)



# GM

## 电动润滑泵

- 体积更精巧
- 可输送稀油和油脂
- 多样的补脂方式
- 强大的集中控制系统
- 多种电压可选

## 特性

### Characteristics

- 容积 Reservoir:
  - 1.5L
  - 2L
  - 4L
- 电压 Voltages:
  - 12VDC
  - 24VDC
  - 220VAC
- 可输送稀油和油脂
  - Pump oil and grease
- 多样的补脂方式
  - Multiple grease filling ways
- 强大的集中控制系统
  - Powerful centralized control system
- CE认证
  - CE Certification
- 外观专利
  - Design patent
- IP65

## 体积小，大性能

### 先进的设计和解决方案

#### HIGH PERFORMANCE IN A COMPACT PUMP

GM是一款高压柱塞泵，最多可配5个泵元件。其尺寸特别适用于狭小空间安装。用于递进或者单线系统，可同时给五个独立线路润滑，出口可合并增加排量，特殊的本体材料，达到非常优异的抗震功能。

特别的泵罐设计，易于观察油位并有效阻隔紫外线照射，防止润滑油变质。具备低液位内部报警，带闪烁蜂鸣。也可以选择信号输出。

GM is a piston pump, predisposed to operate with a maximum of Five pumping units, its design is particularly suitable for progressive systems or single line systems. Five independent line lubrication at the same time. Output can be combined and increase displacement. With special materials, to achieve excellent anti-shock ability. Special design of pump make it easy to observe the oil level and prevent UV radiation, prevent oil deterioration. With low liquid level alarm, flashing buzzer. Also can choose the type of output.

#### 具备两种型号模式

**标准：**由外部PLC管理。不带内置控制单元，因此是润滑系统中更加经济的解决方案。

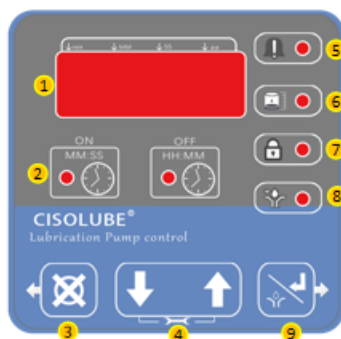
**自动：**带集成控制系统，可本地设置运行时间。配备本地运行及报警指示灯，报警带蜂鸣，提供低液位及脉冲报警，可与分配元件的监控器组合成一套完美的运行系统。

**Standard:** can be managed by an external PLC. Since it does not come with an internal control unit, this is the most economic solution for lubricating your systems.

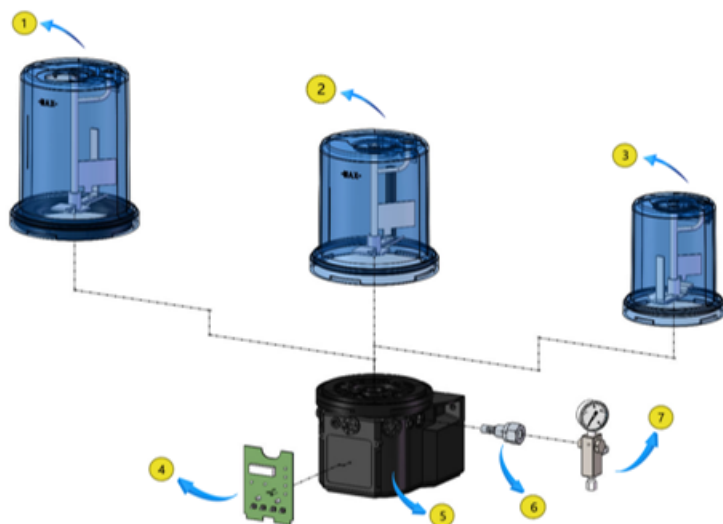
**Automatic:** With integrated control system, which can be set up local running time. Equipped with local operation and alarm light, alarm with buzzer, provide low level and pulse alarm, which can be combined with the monitor of distribution units into a perfect operating system.



## 控制系统操作说明

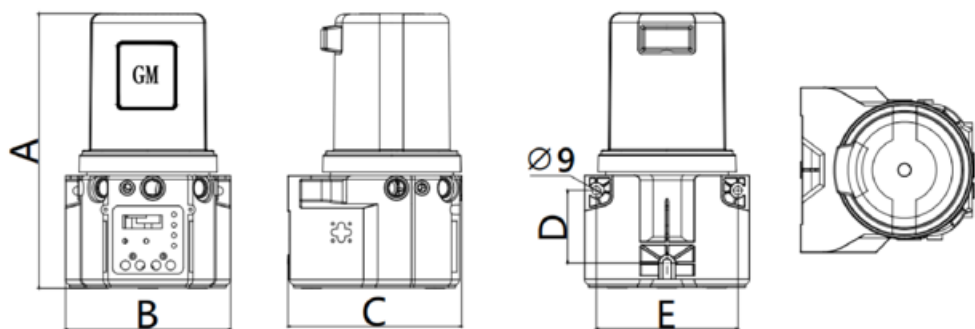


- 1 易于读数的LED显示屏
- 2 清晰易辨的开/关指示
- 3 向左、复位功能
- 4 易于使用的导航键
- 5 润滑系统关机报警信号
- 6 低液位指示
- 7 控制装置访问受密码保护
- 8 预润滑功能
- 9 向右、手动运行、回车功能



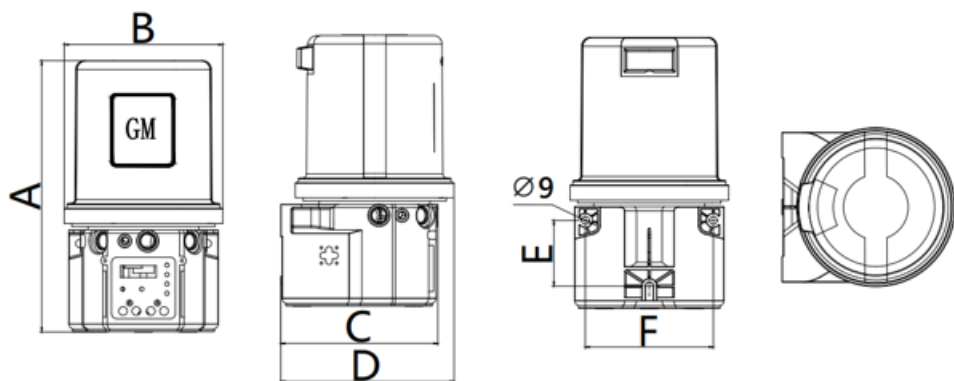
序号 Nº	部件名称 Part	序号 Nº	部件名称 Part
1	4L 泵罐 4L Pump Tank	5	泵底座 Pump base
2	2L 泵罐 2L Pump Tank	6	GM柱塞副 GM Pumping Element
3	1.5L 泵罐 1.5L Pump Tank	7	出口安全阀组件 Pump outlet assembly (With pressure gauge)
4	控制板 Control panel		

1.5L 尺寸 Dimensions (mm) :



容积 Reservoirs	A	B	C	D	E
1.5L	292	175	184	77	150

2L&4L 尺寸 Dimensions (mm) :



容积 Reservoirs	A	B	C	D	E	F
2L	314	186	184	203	77	150
4L	354	186	184	203	77	150



**技术信息 Technical information:**
**基本技术参数 Technical characteristics**

泵输出单元 Unit of pump outlets	最多5出口 Max. 5 outlets
出口螺纹 Outlet thread	G1/4
额定流量 Rated flow	4ml/min
运行压力 Operating pressure	Max. 25MPa
油箱容积 Reservoir Capacity	1.5、2、4L
润滑剂 Lubricants	OIL、000、00、0、1、2
使用温度 Operating temperatures	-40 - 90°C



## 产品选型 Ordering information:

## 搅拌杆选型 Stir Type

类型 Type	润滑剂 Lubricants	电压 Voltages	容积 Reservoirs	型号 Part number
标准 Standard	油脂 Grease	12VDC	1.5	22D126G
			2	22D226G
			4	22D426G
		24VDC	1.5	22D146G
			2	22D246G
			4	22D446G
	稀油 Oil	12VDC	1.5	22D126O
			2	22D226O
			4	22D426O
		24VDC	1.5	22D146O
			2	22D246O
			4	22D446O
自动 Automatic	油脂 Grease	12VDC	1.5	22D121G
			2	22D221G
			4	22D421G
		24VDC	1.5	22D141G
			2	22D241G
			4	22D441G
	稀油 Oil	12VDC	1.5	22D121O
			2	22D221O
			4	22D421O
		24VDC	1.5	22D141O
			2	22D241O
			4	22D441O

## 产品选型 Ordering information:

22-       **类型 Type**

D = 搅拌杆 Stir

**容积 Reservoir**

1 = 1.5L

2 = 2L

4 = 4L

**电压 Voltages**

2 = 12VDC

4 = 24VDC

6 = 220VAC

**控制器 Timer**

1 = 带控制 with timer

6 = 不带控制 without timer

**低液位 Low Level**

L= 带低液位 with level

M= 不带低液位 without level

**润滑剂 Lubricant**

G = 油脂 Grease

O = 稀油 Oil

**补脂方式 Fill Type**

Blank = 黄油嘴 Grease Nipples

F= 快插接头 Quick connection

C= 顶部开盖 Top cap



**GT  
PLUS**

# **GW 电动润滑泵**

- 顶部开盖
- 可输送稀油和油脂
- 多样的补脂方式
- 强大的集中控制系统
- 多种电压可选

## 特性

### Characteristics

- 顶部开盖

With top cover

- 容积 Reservoir:

2L

6L

8L

12L

- 电压 Voltages:

12VDC

24VDC

220V

380V

- 可输送稀油和油脂

Pump oil and grease

- 多样的补脂方式

Multiple grease filling

ways

- 强大的集中控制系统

Powerful centralized

control system

- CE认证

CE Certification

- 外观专利

Design patent

- IP65

## 顶部开盖设计，注油更加方便快捷

With top cover, more convenient and fast

## 先进的设计和解决方案

### DESIGN AND ADVANCED SOLUTIONS

GW是一款高压柱塞泵，最多可配五个泵元件。其设计

特别适用于递进或者单线系统，可同时给五个独立线路

润滑，出口可合并增加排量，特殊的本体材料，达到非常

优异的抗震功能。特别的泵罐设计，易于观察油位并能有效阻隔

紫外线照射，防止润滑油变质。

具备低液位内部报警，带闪烁蜂鸣，也可以选择信号输出。

GW pump is a piston pump predisposed to operate with a maximum of five pumping units, its design is particularly suitable for progressive systems or single-line systems.

Five independent line lubrication at the same time. Output can be combined and

increase displacement With special materials, to achieve excellent anti-shock ability

Special design of pump make it easy to observe the oil level and prevent UV radiation,

prevent oil deterioration. With low liquid level alarm, flashing buzzer. Also can choose the type of output.

### 具备两种型号模式

**标准：**由外部PLC管理。不带内置控制单元，因此是润滑系统中更加经济的解决方案。

**自动：**带集成控制系统，可本地设置运行时间。配备本地运行及报警指示灯，报警带蜂鸣，提供低液位及脉冲报警，可与分配元件的监控器组合成一套完美的运行系统。

**Standard:** can be managed by an external PLC. Since it does not come with an internal control unit, this is the most economic solution for lubricating your systems.

**Automatic:** With integrated control system, which can be set up local running time. Equipped with local operation and alarm light, alarm with buzzer, provide low level and pulse alarm, which can be combined with the monitor of distribution units into a perfect operating system.

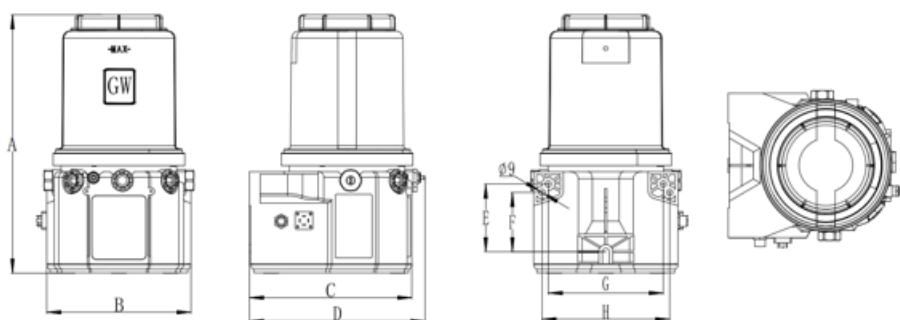


技术信息 Technical information:

基本技术参数 Technical characteristics

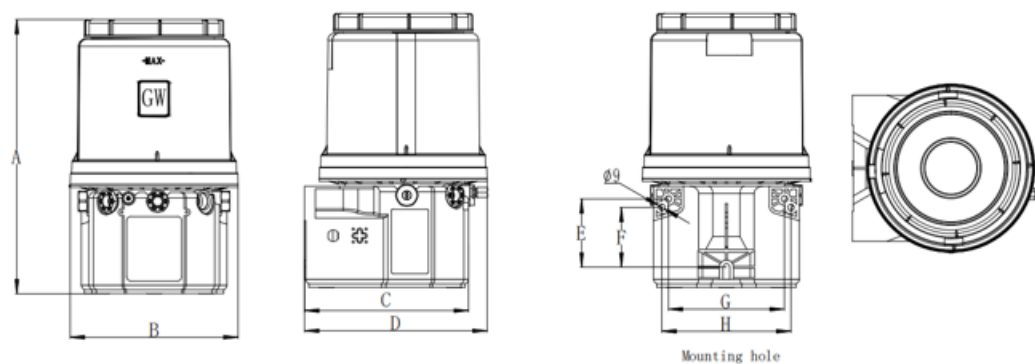
泵输出单元 Unit of pump outlets	最多5出口 Max. 5 outlets
出口螺纹 Outlet thread	G1/4
额定流量 Rated flow	2ml、3ml、4ml/min
运行压力 Operating pressure	Max. 35MPa
油箱容积 Reservoir Capacity	2、6、8、12L
润滑剂 Lubricants	OIL、000、00、0、1、2
使用温度 Operating temperatures	-40 - 90°C

2L 尺寸 Dimensions (mm) :

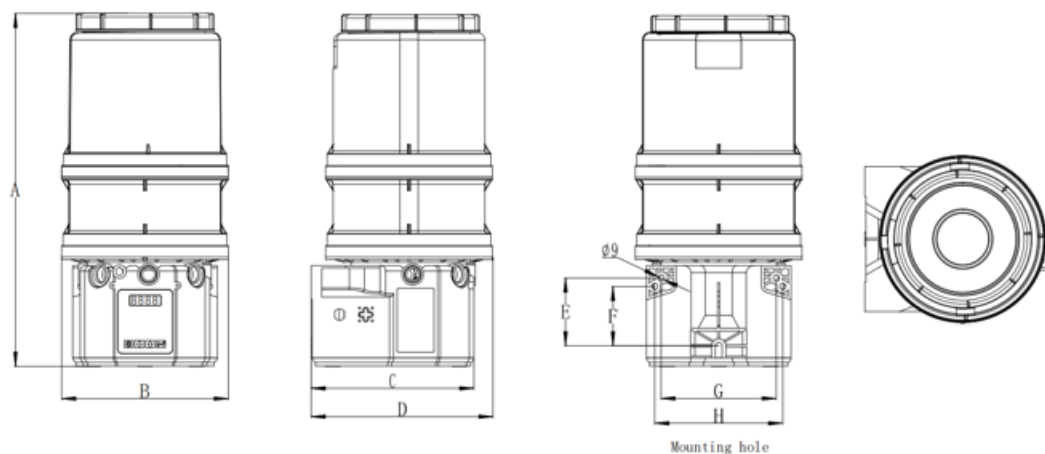


容积 Reservoir	A	B	C	D	E	F	G	H
2L	365	204	231.5	248	95.5	83.5	162.5	180.5

6L&8L 尺寸 Dimensions (mm) :



容积 Reservoir	A	B	C	D	E	F	G	H
6L	385	235	231.5	255.5	95.5	83.5	162.5	180.5



容积 Reservoir	A	B	C	D	E	F	G	H
8L	498	235	231.5	255.5	95.5	83.5	162.5	180.5



24-

<p><b>类型 Type</b></p> <p>D = 搅拌杆 Stir</p>	
<p><b>容积 Reservoir</b></p> <p>2 = 2L</p> <p>6 = 6L</p> <p>8 = 8L</p> <p>12 = 12L</p>	
<p><b>电压 Voltages</b></p> <p>2 = 12VDC</p> <p>4 = 24VDC</p> <p>6 = 220VAC</p> <p>8 = 380VAC</p>	
<p><b>控制器 Timer</b></p> <p>1 = 带控制 with timer</p> <p>6 = 不带控制 without timer</p>	
<p><b>低液位 Low Level</b></p> <p>L = 带低液位 with level</p> <p>M = 不带低液位 without level</p>	
<p><b>润滑剂 Lubricant</b></p> <p>G = 油脂 Grease</p> <p>O = 稀油 Oil</p>	
<p><b>补脂形式 Fill Type</b></p> <p>Blank = 黄油嘴 Grease Nipples</p> <p>F = 快插接头 Quick connection</p>	



# VSP 分配器

VSP 模块化分配器  
排量精准

最大压力 25Mpa



## 特性

### Characteristics

- 三种螺纹可选

Three kinds of thread are available:

R, NPT, BSPP

- 采用了碳钢镀锌镍

不锈钢316L材料, 具备优秀的耐腐蚀能力

Nickel-plated steel

Stainless steel,

AISI 316L

-适用于润滑油或

2号以下等级润滑脂

Oil-NLGI 2

- 密封采用FKM材质

FKM O RING

- CE认证

CE certification

## VSP模块化递进分配阀 VSP modular distribution valve

西索VSP 模块化分配阀能够保证精确的润滑, 并且适用于各种苛刻工况, 是一款完美的润滑剂分配解决方案

VSP modular distribution valve can ensure accurate lubrication, and is suitable for all kinds of harsh conditions, is a perfect lubricant distribution solution  
分配器分为两个主要部件:

- 底板 (至少由三个元件构成)
- 分配阀 (有单出口和双出口版本)。

The divider consists of two main parts:

- THE BASE (consisting of a minimum of three elements)
- THE METERING VALVES (available with both a single outlet as well as a double one)

为了最大化设备的性能, 可以使用电子监控元件来检测系统是否发生故障或受阻。

To maximize the performance of the plant, it is crucial to use electrical monitoring elements that detect malfunctioning or system blockage.

由于系统具有良好的模块化性质, 因此能够很方便地进行扩展, 更改分配器元件时也不需要拆解润滑管路, 确保了更快的相应速度和更低的维护成本。分配器的模块化能够根据设备的需要对润滑点进行分组。

Thanks to its modularity, the system can be easily expanded and replacement of metering elements can occur without removing the pipework, thereby guaranteeing low maintenance costs. The modularity of the dividers furthermore allows you to bundle lubrication points according to system requirements.

典型应用: 汽车、工业设备、风电、工程机械等

Typical applications: automobile, industrial equipment, wind power, construction machinery, etc

模块化整体提供、为客户节约装配时间

Modular overall supply, save assembly time for customers

可以选配材质为不锈钢材质的分配阀

Stainless steel is available



## 参数

### Parameter

- 最大工作压力

Max. Pressure:

250 Bar, 3625 psi

- 标准排量:

0.08 ~ 1.3ml/cyc

- 润滑剂 Lubricant:

稀油32 CST ~ 油脂

NLGI 2

Oil 32 CST ~ NLGI 2

- 工作环境温度

operating ambient

temperature:

- 30°C ~ +150°C

- 带循环指示器最大循

环速度

Maximum cycle

speed with cycle

indicator:

60cyc/min

- 每组分配阀可供润滑

点数

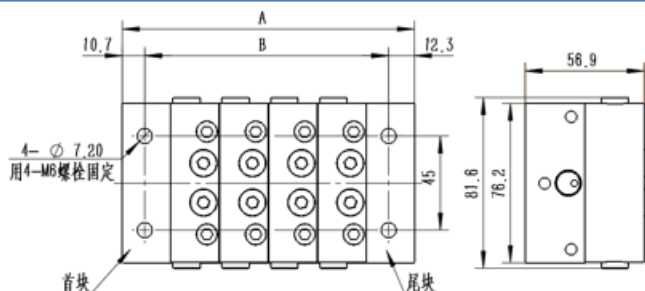
Number of

lubricating points

available:

3~22点

### 安装尺寸 Dimensions:



工作片数 Number of work	A(mm)	B(mm)	工作片数 Number of work	A(mm)	B(mm)
3	116.8	91.4	6	188	160
4	127	114.3	7	210.8	185.4
5	162.6	137.2	8	233.7	208.3

注: 上表中A、B是理论值, 由于分配器累积装配误差的影响, 可能会与实物有误差。

Note: A and B in the above table are theoretical values, which may have errors with real objects due to the influence of cumulative assembly errors of distributors.

### 订购信息 Ordering information:

VSP底板型号 VSP block model

包含进口、中间块、尾块、连接杆和螺母

Comprising an inlet, a middle block, a tail block, a connecting rod and a nut

项目 Ref	最大出口数量 Maximum export quantity	阀块数量 Number of Sections	型号 Model		尺寸 (仅供参考) Dimensions (for reference only)	
			R Thread	G Thread	A	B
2/3/4/5/6	6	3	56R03	56G03	4.6in (116.8mm)	3.6in (91.4mm)
	8	4	56R04	56G04	5.0in (127.0mm)	4.5in (114.3mm)
	10	5	56R05	56G05	6.4in (162.6mm)	5.4in (137.2mm)
	12	6	56R06	56G06	7.4in (188.0mm)	6.3in (160.0mm)
	14	7	56R07	56G07	8.3in (210.8mm)	7.3in (185.4mm)
	16	8	56R08	56G08	9.2in (233.7mm)	8.2in (208.3mm)

如需订购316L不锈钢材质, 请在订购号加后缀-SS

To order 316L stainless steel, please add suffix -SS to the order number

## VSP分配阀 VSP distribution

VSP分配阀型号 Model of VSP distribution valve						
VSP阀工作阀块 (必须以5的倍数订购) Working valve block of VSP valve (must be ordered in multiples of 5)						
项目 Ref	出口 out	说明 Description	每个出口的输出量, in <sup>3</sup> (cm <sup>3</sup> )	型号 Model		
				标准阀块 Standard valve block	带循环销 - 右 With circulating pin-right	带循环销 - 左 With circulating pin-left
1	单 Single	VSP-5S	0.010(0.16)	61911	不适用 Not applicable	
		VSP-10S	0.020(0.33)	61912		
		VSP-15S	0.030(0.49)	61913		
		VSP-20S	0.040(0.66)	61914	61914RD	61914LD
		VSP-25S	0.050(0.82)	61915	61915RD	61915LD
		VSP-30S	0.060(0.98)	61916	61916RD	61916LD
		VSP-35S	0.070(1.15)	61917	61917RD	61917LD
		VSP-40S	0.080(1.31)	61918	61918RD	61918LD
	双 Twins	VSP-5T	0.005(0.08)	61919	不适用 Not applicable	
		VSP-10T	0.010(0.16)	61920		
		VSP-15T	0.015(0.26)	61921		
		VSP-20T	0.020(0.33)	61922	61922RD	61922LD
		VSP-25T	0.025(0.41)	61923	61923RD	61923LD
		VSP-30T	0.030(0.49)	61924	61924RD	61924LD
		VSP-35T	0.035(0.57)	61925	61925RD	61925LD
VSP-40T	0.040(0.66)	61926	61926RD	61926LD		

### VSP整体型号订购信息: VSP overall model ordering information

类型 Type	元件数 Elements Number	分配阀型号 Model	进口端接 Inlet oil pipe diameter	出口端接 Outlet oil pipe diameter	接近传感器 Proximity sensor	材质 Material
VSP	3 - 11	见选型表 See the selection table	TW - Ø12mm	EH - Ø8mm	NO - 无	NO - 碳钢 NO - Carbon steel
订购示例 Ordering example: VSP-3-5S-5S-5S-TW-SX-SS			TE - Ø10mm	SX - Ø6mm	W - 配置 W-With proximity sensor	SS - 316L
			EH - Ø8mm		SX - Ø6mm	

## 产品选型 Ordering information:

元件数 Element Number	VSP- <input type="checkbox"/> <input type="checkbox"/> <input type="checkbox"/> <input type="checkbox"/> <input type="checkbox"/> <input type="checkbox"/> <input type="checkbox"/>					
3-11						
<b>排量 Flow rate (cm<sup>3</sup>)</b>						
<b>单出口 Single</b>	<b>双出口 Twins</b>					
5S= 0.16	5T=0.08					
10S= 0.33	10T=0.16					
15S= 0.49	15T=0.26					
20S= 0.66	20T=0.33					
25S=0.82	25T=0.41					
30S=0.98	30T=0.49					
35S=1.15	35T=0.57					
40S=1.31	40T=0.66					
<b>进口接头 Inlet Connetor</b>						
A= 不带进出口接头 Without inlet and outlet connectors						
6=Ø6	8=Ø8					
10=Ø10	12=Ø12					
<b>出口接头 Outlet Connetor</b>						
S6= Ø6mm 带安全阀接头 Fitting with check valve						
C6=Ø6mm 不带安全阀接头 Fitting without check valve						
K6= Ø6mm 快插接头 Quick Fitting						
M6=Ø6mm 卡套和螺母 Nut and ferrule						
S8= Ø8mm 带安全阀接头 Fitting with check valve						
C8= Ø8mm 不带安全阀接头 Fitting without check valve						
K8= Ø8mm 快插接头 Quick Fitting						
M8=Ø8mm 卡套和螺母 Nut and ferrule						
<b>循环销 Cycle Control</b>						
RD = 右侧带循环销 With circulating pin-right						
LD = 左侧带循环销 With circulating pin-left						
<b>接近传感器 Proximity sensor</b>						
空白 Blank = 无配置 No Proximity sensor						
W = 带接近传感器 With Proximity sensor						
<b>材质 Material</b>						
空白 Blank = 碳钢镀锌镍 Carbon steel						
SS = 316L						

# DSS

# 分配器

紧凑型块式递进式计量装置  
固定排量

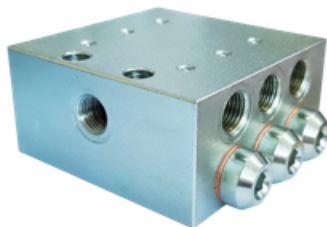
最大工作压力- 5076 psi (350 bar, 35 MPa)



## 整体式无泄漏高压分配阀

### Integral Leakless High Pressure Distributor Valve

DSS是一种单块式递进分配器，是狭窄空间的最好选择。有6, 8, 10, 12, 14, 16, 18, 20和22个出口各款产品可供选择，每个出口流量0.2 cm<sup>3</sup>/循环 (0.01 in<sup>3</sup>/循环)



The DSS is a single block progressive divider valve that is ideal for applications where space is limited.

It is available in 6,8,10,12,18,20 and 22 outlet versions, each with an output of 0.2 cm<sup>3</sup> inch per cycle.

通过移走一个堵头，换成目视或者电子监控装置，可以实现目视或电子监控。油脂被泵入计量阀后，递进式计量阀中柱塞依次动作，等量地将油脂分配到每一个出口。

Visual or electronic monitoring can be achieved simply by removing a plug and installing a visual or electronic add-on device. The spools in a progressive metering valve operate sequentially partitioning equally across the outlets, the grease being pumped into the metering block inlet.

如果一个润滑点被堵，所有点将停止工作，从而让用户用一个监控装置就可以监控整个系统。

In case a single output becomes blocked, the pistons stop their activity allowing for the control of the entire system by means of a single device for this purpose.

阀体内部无斜孔，不可交叉或内部不可并孔。可使用普通卡套接头，是润滑系统方案中比较经济的选择。

There is no diagonal hole inside the valve body, and the outlet cannot be crossed or combined inside. Common outlet connector can be configured, which is a more economical choice for the lubrication system scheme.

#### 特点与优势

##### Features and benefits

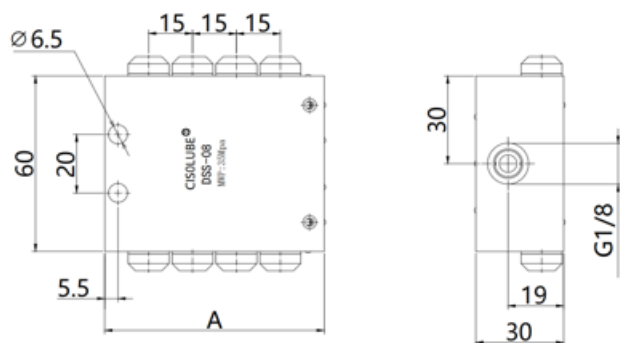
- 整体式设计，高压  
Integral design, high pressure
- 安装简单  
Easy for installation
- 润滑系统中更加经济的解决方案  
A more economical solution for lubrication systems

#### 应用行业

##### Applications

- 建筑及矿山设备  
Construction and mining
- 农业机械  
Farm machinery
- 工业设备  
Industrial equipment

## 安装尺寸 Dimensions:



出口数 Outlets	A
6	60
8	75
10	90
12	105
14	120
16	135
18	150
20	165
22	180

## 产品特点 Product feature:

## 技术参数 Technical parameters

工作压力 Operating pressure	20~350 Bar
润滑剂 Lubricants	Oil 46 - NLGI-2#
工作温度 Operating temperature	-40 °C to 200 °C
排量 Discharge (for outlet)	0.2ml/cyc
进口螺纹 Inlet port	G1/8
出口螺纹 Outlet port	M10x1
出口数量 Outlets	6 - 22
循环周期 Piston cycles	Max 200 cyc/min
材质 Material	碳钢镀白锌 zinc-plated steel



订购型号 无进出口接头 Ordering Number Without inlet and outlet fittings:

标准阀块 Standard



出口数量 Outlets	型号 Part number
6	32N03
8	32N04
10	32N05
12	32N06
14	32N07
16	32N08
18	32N09
20	32N10
22	32N11

机械指示杆 With visual pin



出口数量 Outlets	型号 Part number
6	32V03
8	32V04
10	32V05
12	32V06
14	32V07
16	32V08
18	32V09
20	32V10
22	32V11

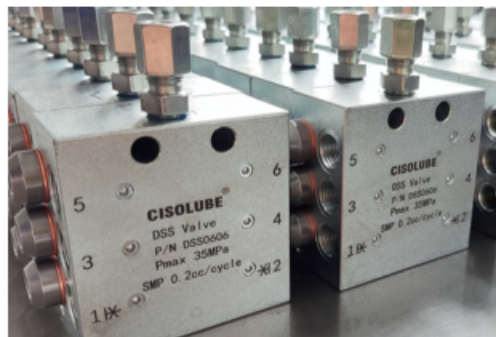
## DSS分配阀 DSS distribution

电子感应指示杆  
With inductive sensor



出口数量 Outlets	型号 Part number
6	32M03
8	32M04
10	32M05
12	32M06
14	32M07
16	32M08
18	32M09
20	32M10
22	32M11

## 订购信息 Ordering information:

DSS-     **出口数量 Outlet Number**

06=6

08=8

10=10

以此类推 And so on

**入口接头尺寸 Inlet Connector**

A=无进出口接头 Without inlet and outlet fittings

06=Ø6mm

08=Ø8mm

**入口接头形式 Inlet Connector shape**

D=直通卡套接头 Straight fitting assembly

H=直角卡套接头 Angle fitting assembly

**类型 Type**

空白 Blank=不带指示杆 without pin

**机械指示杆 Visual Pin**

Cxx=安装在xx口 Which outlet to install

**电子传感器 Inductive sensor**

Exx=安装在xx口 Which outlet to install

**出口接头 Outlet Connector**

S6= Ø6mm 带止回阀接头 Fitting with check valve

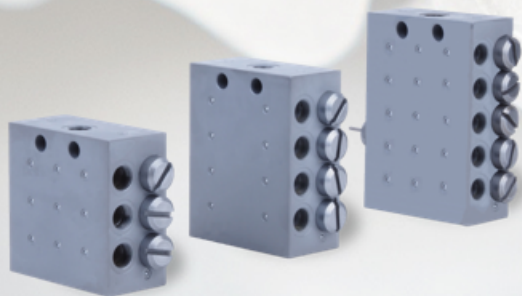
K6= Ø6mm 快插接头 Quick Fitting

M6=Ø6mm 卡套和螺母 Nut and ferrule

# DSP 分配器

用于矿物油和润滑脂的逐步输送润  
滑

最大工作压力- 5076 psi (350 bar, 35  
MPa)



## 特性

### Characteristics

- 可以输送稀油和油脂

Pump oil and grease

- 最小工作压力

Min. Pressure:

20 Bar, 300 psi

- 最大工作压力

Max. Pressure: 350

Bar, 5075 psi

- 工作温度

Operating

Temperature:

-40 ~ +200 °C

- 润滑剂粘度

Lubricant viscosity:

Oil- NLGI 2

- 材料: 碳钢镀镍

Material:

nickel-plated steel

- 接近开关型

Proximity Type:

PNP 或 NPN 10-

30V DC - 200 mA

## 整体式无泄漏高压分配阀 Integral Leakless High Pressure Distributor Valve

DSP是一种单块式递进分配器，是狭窄空间的最好选择。

有6, 8, 10, 12, 14, 16, 18, 20和22个出口各款产品可供选择，每个出口流量0.2 cm<sup>3</sup>/循环(0.01 in<sup>3</sup>/循环)

The DSP is a single block progressive divider valve that is ideal for applications where space is limited.

It is available in 6,8,10,12,18,20 and 22 outlet versions, each with an output of 0.2 cm<sup>3</sup> inch per cycle.



任意出口在安装堵头后可以和相邻的下一个出口相连，实现流量叠加。

The single output of the dosing device may be combined with the one located adjacent by eliminating the special fitting and applying a plug.

An outlet can also be merged with the sequential outlet on the block by removing the special outlet fitting and installing a plug.

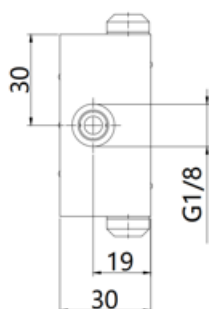
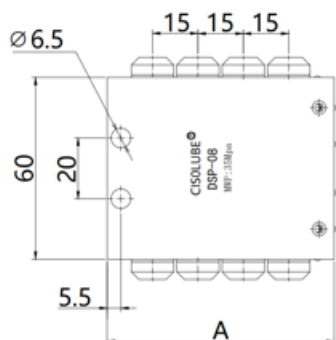
通过移走一个堵头，换成目视或者电子监控装置，可以实现目视或电子监控油脂被泵入计量阀后，递进式计量阀中柱塞依次动作，等量地将油脂分配到每一个出口。

Visual or electronic monitoring can be achieved simply by removing a plug and installing a visual or electronic add-on device as shown below. The spools in a progressive metering valve operate sequentially partitioning equally across the outlets, the grease being pumped into the metering block inlet.

如果一个润滑点被堵，所有点将停止工作，从而让用户用一个监控装置就可以监控整个系统。

The grease pumped inside of the block is distributed by the piston dispensers of the progressive dosing device equally among the different outputs. In case a single output becomes blocked, the pistons stop their activity allowing for the control of the entire system by means of a single device for this purpose.

安装尺寸 Dimensions:



出口数 Outlets	A
6	60
8	75
10	90
12	105
14	120
16	135
18	150
20	165
22	180

产品特点 Product feature:

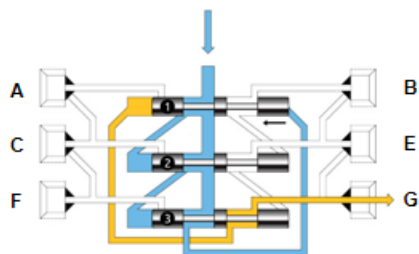
技术参数 Technical parameters

工作压力 Operating pressure	20~350 Bar
润滑剂 Lubricants	Oil 46 - NLGI-2#
工作温度 Operating temperature	-40 °C to 200 °C
排量 Discharge (for outlet)	0.2ml/cyc
进口螺纹 Inlet port	G1/8
出口螺纹 Outlet port	M10x1
出油口数量 Outlets*	6 - 22
循环周期 Piston cycles	Max 200 cyc/min
材质 Material	碳钢镀锌镍 Nickel-plated steel

\* 通过交叉口或合并出油口，可以将出油口数量减至小于给定最小值。出油口 \* 1 和 \* 2 不可关闭。

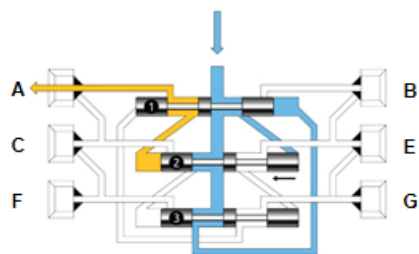
By crossporting or closing outlets possible to reduce outlet number below given minimum. Outlet \* 1 and \* 2 should never be closed

1



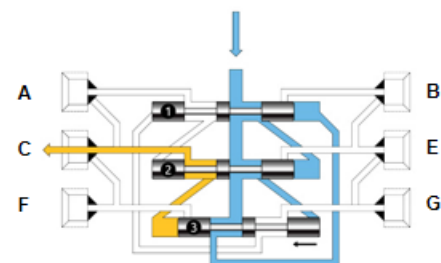
压力使柱塞**1**向左移动，推动油脂，使油脂（黄色）从**G**点排出。  
Lubricant low pressure (blue) moves piston 1 to the left allowing lubricant discharge (yellow) from G.

2



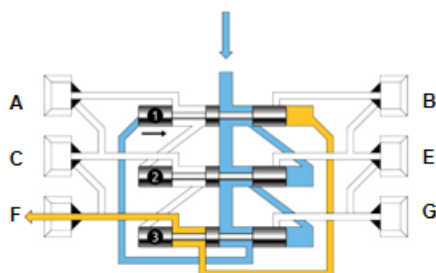
当柱塞**1**达到极限时，油脂在压力（蓝色）的作用下涌向柱塞**2**。油脂（黄色）从**A**排出。  
When piston 1 reaches its limit, lubricant low pressure (blue) operates on piston 2. Lubricant volume (yellow) discharge from A.

3

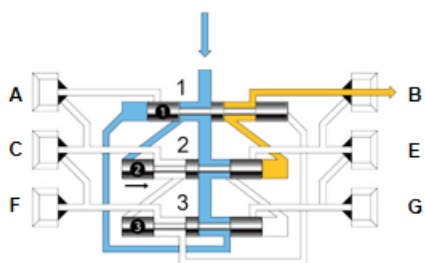


当柱塞**2**达到极限时，压力（蓝色）涌向柱塞**3**。油脂（黄色）从**C**排出。  
When piston 2 reaches its limit, lubricant low pressure (blue) operates on piston 3. Lubricant volume (yellow) discharge from C.

4



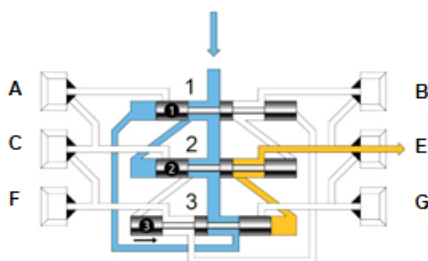
当柱塞**3**达到极限时，压力（蓝色）涌向柱塞**1**。油脂（黄色）从**F**排出。  
When piston 3 reaches its limit, lubricant low pressure (blue) operates on piston 1. Lubricant volume (yellow) discharge from F.



5

当柱塞1达到极限时，压力（蓝色）涌向柱塞2。油脂（黄色）从B排出。

When piston 1 reaches its limit, lubricant low pressure (blue) operates on piston 2. Lubricant volume (yellow) discharge from B.



6

当柱塞2达到极限时，压力（蓝色）涌向柱塞3。油脂（黄色）从E排出。系统已准备好进入新的循环。

When piston 2 reaches its limit, lubricant low pressure (blue) operates on piston 3. Lubricant volume (yellow) discharge from E. The system is ready for a new cycle.

### 机械指示杆 Visual pin:



机械指示杆显示柱塞运动，监测整个系统的正常运行。

The visual pin shows the piston movement, monitoring the proper operation of the entire system.

### 电子感应指示杆 Inductive control:



电压 Voltage	6-30 VDC
输出电流 Outlet current	Max 200 mA
工作温度 Operating temperature	- 30 °C to +70 °C
出口排量 Discharge (for outlet)	0.2ml/cycle
防护等级 Protection	IP 67
传感器材质 Sensor housing	不锈钢 Stainless steel
传感器护套 Sensor block	Pet-G
连接尺寸 Connection	M8x1



订购型号 无进出口接头 Ordering Number Without inlet and outlet fittings:

标准阀块 Standard



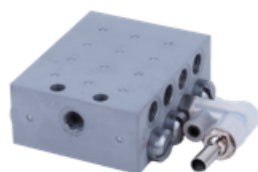
出口数量 Outlets	型号 Part number
6	31N03
8	31N04
10	31N05
12	31N06
14	31N07
16	31N08
18	31N09
20	31N10

机械指示杆 With visual pin



出口数量 Outlets	型号 Part number
6	33V03
8	33V04
10	33V05
12	33V06
14	33V07
16	33V08
18	33V09
20	33V10

电子感应指示杆  
With inductive sensor



出口数量 Outlets	型号 Part number
6	33M03
8	33M04
10	33M05
12	33M06
14	33M07
16	33M08
18	33M09
20	33M10

超级传感器 Ultra sensor:



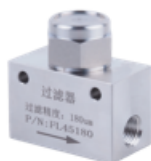
描述 Description	型号 Part number
M12, 4Core, 适用DSP	124581

BANJO with grease nipple inlet assembly:



型号 Part number	螺纹 Thread
31M10	M10x1
31M18	G1/8

过滤器 Inset filter:



型号 Part number	精度 Rate	螺纹 Thread	材质 Material
FL45180	180 $\mu$ m	R1/4 inside 内螺纹	SS
FL45125	125 $\mu$ m	R1/4 inside 内螺纹	SS
AL45180	180 $\mu$ m	R1/4 inside 内螺纹	AL
AL45125	125 $\mu$ m	R1/4 inside 内螺纹	AL

过滤器 Inset filter 70 $\mu$ m:



型号 Part number	螺纹 Thread
31F10	M10x1

订购信息 Ordering information:



DSP-

<p><b>空白 Blank = 碳钢镀锌镍 Zn-Ni plated</b> A=碳钢镀黑 Plating black</p>
<p><b>出口数量 Outlet Number</b> 06=6 08=8 10=10 以此类推 And so on</p>
<p><b>入口接头尺寸 Inlet Connector</b> A=无进出口接头 Without inlet and outlet fittings 06=Ø6mm 08=Ø8mm</p>
<p><b>入口接头形式 Inlet Connector shape</b> D=直通卡套接头 Straight fitting assembly H=直角卡套接头 Angle fitting assembly</p>
<p><b>类型 Type</b> 空白 Blank=不带指示杆 without pin <b>机械指示杆 Visual Pin</b> Cxx=安装在xx口 Which outlet to install <b>电子传感器 Inductive sensor</b> Exx=安装在xx口 Which outlet to install</p>
<p><b>堵头 Plug</b> XD=3-20</p>
<p><b>出口接头 Outlet Connector</b> S6= Ø6mm 带止回阀接头 Fitting with check valve K6= Ø6mm 快插接头 Quick Fitting M6=Ø6mm 卡套和螺母 Nut and ferrule</p>

DSS和DSP技术参数

Technical parameters for DSS and DSP

技术数据	DSS	DSP
工作压力 Operating pressure	20~350 Bar	20~350 Bar
润滑剂 Lubricants	Oil 46 - NLGI-2#	Oil 46 - NLGI-2#
工作温度 Operating temperature	-40 °C to 200 °C	-40 °C to 200 °C
排量 Discharge (for outlet)	0.2ml/cyc	0.2ml/cyc
进口螺纹 Inlet port	G1/8	G1/8
出口螺纹 Outlet port	M10x1	M10x1
循环周期 Piston cycles	Max 200 cyc/min	Max 200 cyc/min
出油口数量 Outlets	6 - 22 (出油口无法内部合并 outlet cannot be crossed or combined inside)	6 - 22 (内部特殊工艺, 可通过内部合并出油口, 将出油口数量减至2个, 并增加出油口排量。* 1 和 * 2 不可关闭) By crossporting or closing outlets possible to reduce outlet number 2 . Outlet * 1 and * 2 should never be closed
出口接头 Outlet Connector	6mm 带止回阀的卡套接头, 更能节约成本 6mm Fitting with check valve, morecost savings	6mm 带锥度密封及止回阀的卡套接头 6mm Fitting with check valve and taper seal
材质 Material	碳钢镀白锌 zinc-plated steel	碳钢镀锌镍 Nickel-plated steel 碳钢镀黑 Plating black

# VB

# 分配器

用于矿物油和润滑脂的逐步输送润滑

最大工作压力 - 3600 psi (250 bar, 25 MPa)



## 特性

### Characteristics

- 可以输送稀油和油脂

Operation with oil and grease

- 紧凑性使其尤其适合用于有限空间

Compactness makes it particularly suitable for use in limited spaces

- 内置出口单向阀, 可确保每次润滑剂加注流量精确无误

The built-in check valve can ensure the accuracy of each lubricant filling flow

- CE认证

CE certification

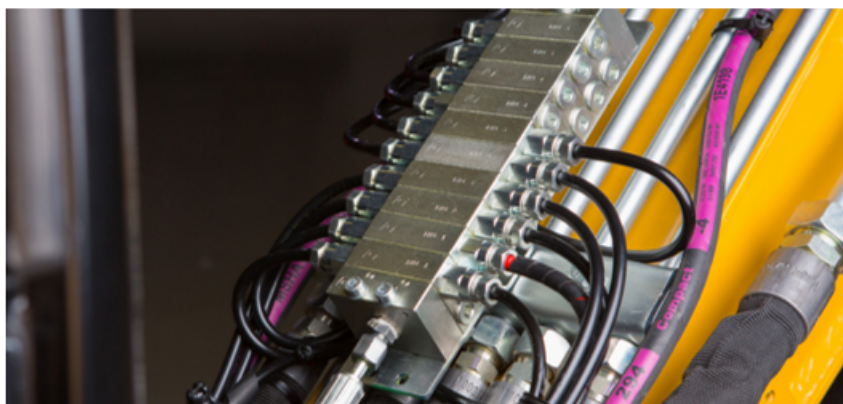
## 适用于稀油和干油递进式分配的计量元件

Divider elements for THE volumetric distribution of oils and grease

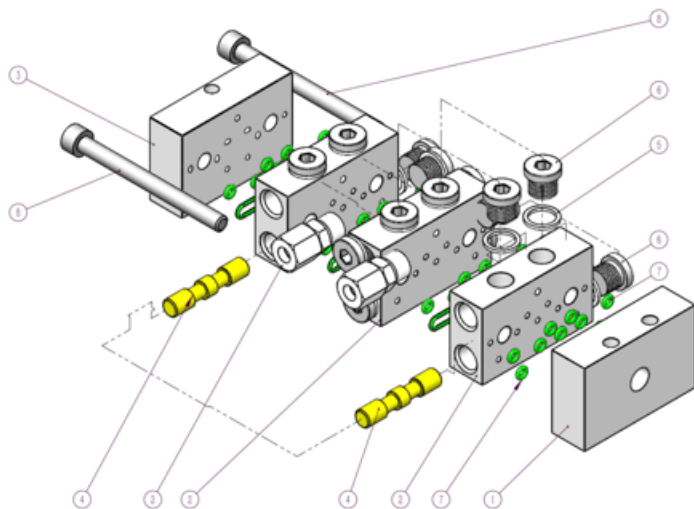
一组典型的VB分配阀包含一片“首片”、一片“尾片”和3至10片工作片组成。可以提供3至20个润滑点的润滑, VB分配阀的工作片, 有各种规格的排量以供选择。双出口工作片(在工作片的规格数值后, 用T表示双出口), 有两个出油口, 可以设定为侧面或者上方输出; 单出口口(在工作片规格数值后, 用S表示单出口), 有一个出油口, 它可以在工作片的任一端, 而另一端需要堵塞。注意双出口工作片不能堵塞任一出口, 否则会影响正常工作

A typical VB distribution valve consists of a "first piece", a "tail piece" and 3 to 10 working pieces. Can provide 3 to 20 lubrication points of lubrication, VB distribution valve working piece, a variety of specifications of displacement for selection. The double outlet working piece (after the specification value of the working piece, the T represents the double outlet) has two oil outlets, which can be set as the side or upper output; the single outlet (after the specification value of the working piece, the S represents the single outlet) has one oil outlet, which can be at either end of the working piece, and the other end needs to be blocked. Note: that the double outlet working piece should not block any outlet, otherwise it will affect the normal operation.

可以轻松配置磁性和电子接近开关循环指示器, 为成功润滑提供积极保障  
Magnetic and electronic proximity switch cycle indicators can be easily configured to provide positive protection for successful lubrication



## 产品构成 Product composition:



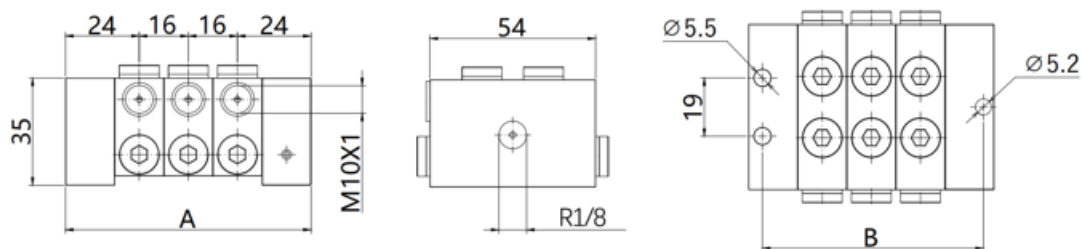
- |              |                             |
|--------------|-----------------------------|
| 1 — 分配器首块    | 1 — Initial element         |
| 2 — 分配器中间片   | 2 — Divider element         |
| 3 — 分配器尾块    | 3 — End element             |
| 4 — 柱塞       | 4 — Plunger                 |
| 5 — 垫片       | 5 — Sasket                  |
| 6 — 堵头       | 6 — Plug                    |
| 7 — O型圈: 氟橡胶 | 7 — O-ring:FKM(-20°C~200°C) |
| 8 — 螺杆       | 8 — Screw                   |

## 技术参数 Technical parameters

工作压力 Operating pressure	Max 25 Mpa
润滑剂 Lubricants	Oil 46 to Grease NLGI-2
工作温度 Operating temperature	-40 °C to 110 °C
进口尺寸 Inlet port	R1/8
出口尺寸 Outlet port	M10x1
出口数量 Outlets	Max. 20
涂层 Coating	Zinc-Nickel plated

## VB分配阀 VB distribution

### 安装尺寸 Dimensions:



工作片数 Number of work	A(mm)	B(mm)	工作片数 Number of work	A(mm)	B(mm)
3	80	72	7	144	136
4	96	88	8	160	152
5	112	104	9	176	168
6	128	120	10	192	184

注: 上表中A、B是理论值, 由于分配器累积装配误差的影响, 可能会与实物有误差。

Notes: A and B in the above table are theoretical values, which may have errors with real objects due to the influence of cumulative assembly errors of distributors.

工作片规格 Elements specification	标准排量 Discharge (for outlet) (ml/cyc)	最高压力 Max. Pressure	最小启动压力 Min. Pressure	每片出油口数量 Number of oil outlets per piece
VB-05S	0.16	25Mpa	1.4Mpa	1
VB-05T	0.08	25Mpa	1.4Mpa	2
VB-10S	0.32	25Mpa	1.4Mpa	1
VB-10T	0.16	25Mpa	1.4Mpa	2
VB-15S	0.48	25Mpa	1.4Mpa	1
VB-15T	0.24	25Mpa	1.4Mpa	2
VB-20S	0.64	25Mpa	1.4Mpa	1
VB-20T	0.32	25Mpa	1.4Mpa	2



## 订购信息 Ordering information:

VB-        

<b>元件数 Element Number</b> 3-10	
<b>入口接头形式 Inlet Connector shape</b> A=不带进出口接头 Without inlet and outlet connectors D=直通卡套接头 Straight fitting assembly H=直角卡套接头 Angle fitting assembly	
<b>入口接头尺寸 Inlet Connector</b> 6=Ø6 8=Ø8	
<b>排量 Flow rate (ml)</b> 05= 0.08 10= 0.16 15= 0.23 20= 0.32	
<b>出口形式 Outlets</b> T= 双出口 Double exit SL= 左侧单出口 Left single exit SR= 右侧单出口 Right single exit	
<b>循环控制 Cycle control</b> UL= 接近传感器 /左侧 Proximity sensor /Left UR= 接近传感器 /右侧 Proximity sensor /Right VL= 可视左侧 Visible left VR= 可视右侧 Visible Right	
<b>压力开关 Poessure Control</b> M= 安全阀 Safety valve P= 提示杆 Indicator rod ( 10Mpa、15Mpa、20Mpa)	
<b>出口接头 Outlet Connector</b> S6= Ø6mm 带止回阀接头 Fitting with check valve K6= Ø6mm 快插接头 Quick Fitting M6=Ø6mm 卡套和螺母 Nut and ferrule	

# VE 分配器

用于矿物油和润滑脂的逐步输送润滑

最大工作压力 - 3625 psi (250 bar, 25 MPa)



## 特性

### Characteristics

- 可以输送稀油和油脂

Operation with oil and grease

- 紧凑性使其尤其适合用于有限空间

Compactness makes it particularly suitable for use in limited spaces

- 内置出口单向阀，可确保每次润滑剂加注流量精确无误

The built-in check valve can ensure the accuracy of each lubricant filling flow

- CE认证

CE certification

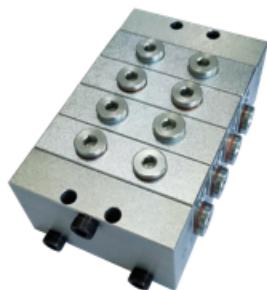
## 适用于稀油和干油递进式分配的计量元件

Divider elements for THE volumetric distribution of oils and grease

一组典型的VE分配阀包含一片“首片”、一片“尾片”和3至10片工作片组成。可以提供3至20个润滑点的润滑，VE分配阀的工作片，有各种规格的排量以供选择。双出口工作片（在工作片的规格数值后，用T表示双出口），有两个出油口，可以设定为侧面或者上方输出；单出口口（在工作片规格数值后，用S表示单出口口），有一个出油口，它可以在工作片的任一端，而另一端需要堵塞。注意双出口工作片不能堵塞任一出口，否则会影响正常工作

A typical VE distribution valve consists of a "first piece", a "tail piece" and 3 to 10 working pieces. Can provide 3 to 20 lubrication points of lubrication, VE distribution valve working piece, a variety of specifications of displacement for selection. The double outlet working piece (after the specification value of the working piece, the T represents the double outlet) has two oil outlets, which can be set as the side or upper output; the single outlet (after the specification value of the working piece, the S represents the single outlet) has one oil outlet, which can be at either end of the working piece, and the other end needs to be blocked. Note: that the double outlet working piece should not block any outlet, otherwise it will affect the normal operation.

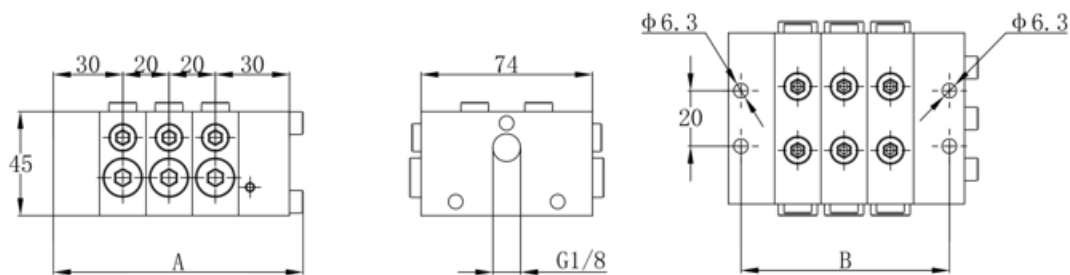
可以轻松配置磁性和电子接近开关循环指示器，为成功润滑提供积极保障  
Magnetic and electronic proximity switch cycle indicators can be easily configured to provide positive protection for successful lubrication



## VE分配阀 VE distribution

技术参数 Technical parameters	
工作压力 Operating pressure	Max 25Mpa
润滑剂 Lubricants	Oil 46 cSt to Grease NLGI-2
工作温度 Operating temperature	-40 °C to 110 °C
进口尺寸 Inlet port	G1/8
出口尺寸 Outlet port	M10x1
出口数量 Outlets	Max. 20
最大工作次数 Max. number of operations	Max. 200cyc/min (无指示杆时) Max.60cyc/min (安装指示杆时)
涂层 Coating	Zinc-Nickel plated

### 安装尺寸 Dimensions:



工作片数 Number of work	A(mm)	B(mm)	工作片数 Number of work	A(mm)	B(mm)
3	107.9	90	7	187.9	170
4	127.9	110	8	207.9	190
5	147.9	130	9	227.9	210
6	167.9	150	10	247.9	230

注：上表中A、B是理论值，由于分配器累积装配误差的影响，可能会与实物有误差。

Notes:A and B in the above table are theoretical values, which may have errors with real objects due to the influence of cumulative assembly errors of distributors.

## VE分配阀 VE distribution

工作片规格 Elements specification	标准排量 Discharge (for outlet) (ml/cyc)	最高压力 Max. Pressure	最小启动压力 Min. Pressure	每片出口数量 Number of oil outlets per piece
VE-05S	0.16	25Mpa	1.4Mpa	1
VE-05T	0.08	25Mpa	1.4Mpa	2
VE-10S	0.32	25Mpa	1.4Mpa	1
VE-10T	0.16	25Mpa	1.4Mpa	2
VE-15S	0.40	25Mpa	1.4Mpa	1
VE-15T	0.20	25Mpa	1.4Mpa	2
VE-20S	0.64	25Mpa	1.4Mpa	1
VE-20T	0.32	25Mpa	1.4Mpa	2
VE-25S	0.80	25Mpa	1.4Mpa	1
VE-25T	0.40	25Mpa	1.4Mpa	2
VE-30S	0.96	25Mpa	1.4Mpa	1
VE-30T	0.48	25Mpa	1.4Mpa	2
VE-35S	1.12	25Mpa	1.4Mpa	1
VE-35T	0.56	25Mpa	1.4Mpa	2
VE-40S	1.20	25Mpa	1.4Mpa	1
VE-40T	0.60	25Mpa	1.4Mpa	2
VE-50S	1.60	25Mpa	1.4Mpa	1
VE-50T	0.80	25Mpa	1.4Mpa	2

## 订购信息 Ordering information:

VE-        

<b>元件数 Element Number</b> 3-10
<b>入口接头形式 Inlet Connetor</b> A=不带进出口接头 Without inlet and outlet connectors D= 直通卡套接头 Straight fitting assembly H= 直角卡套接头 Angle fitting assembly
<b>入口接头尺寸 Inlet Connetor</b> 6=Ø6 8=Ø8
<b>排量 Flow rate (cm<sup>3</sup>)</b> <b>单出口 Single</b> <b>双出口 Twins</b> 5S= 0.16              5T=0.08 10S= 0.32             10T=0.16 15S= 0.40             15T=0.20 20S= 0.64             20T=0.32 25S= 0.80             25T=0.40 30S= 0.96             30T=0.48 35S= 1.12             35T=0.56 40S= 1.20             40T=0.60 50S= 1.60             50T=0.80
<b>单出口形式 Single Outlets</b> SL= 左侧单出口 Left single exit SR= 右侧单出口 Right single exit
<b>循环控制 Cycle control</b> UL= 接近传感器 /左侧 Proximity sensor /Left UR= 接近传感器 /右侧 Proximity sensor /Right VL= 可视左侧 Visible left VR= 可视右侧 Visible Right
<b>压力开关 Poessure Control</b> M= 安全阀 Safety valve P= 提示杆 Indicator rod ( 10Mpa、15Mpa、20Mpa)
<b>出口接头 Outlet Connetor</b> S6= Ø6mm 带安全阀接头 Fitting with check valve K6= Ø6mm 快插接头 Quick Fitting M6=Ø6mm 卡套和螺母 Nut and ferrule S8= Ø8mm 带安全阀接头 Fitting with check valve K8= Ø8mm 快插接头 Quick Fitting M8=Ø8mm 卡套和螺母 Nut and ferrule

## 单线式润滑系统 Single line lubrication system

润滑介质为油或流动脂的小型润滑系统、满足小剂量、多点的润滑需要

For numerous lubrication points with smallest dosing quantities for delivering oil and fluid grease.

### 优点

- 多种类型的润滑点供应
- 最小剂量润滑
- 结构紧凑
- 适用于油或流动脂
- 经济成本低
- 安装便捷

### The Advantages

- Connecting numerous lubrication points
- Smallest dosing quantities
- Compact construction
- For oil or fluid grease
- Cost-effective
- Easy assembly

### 系统组成

- 手动泵、气动泵、电动泵
- 分油块
- 计量阀
- 螺纹接头
- 管线
- 控制和检测装置

### The system components

- Manual, pneumatic and electrical pumps
- Distributor strips
- Dosing valves
- Screwed fittings
- Lines
- Control and check devices

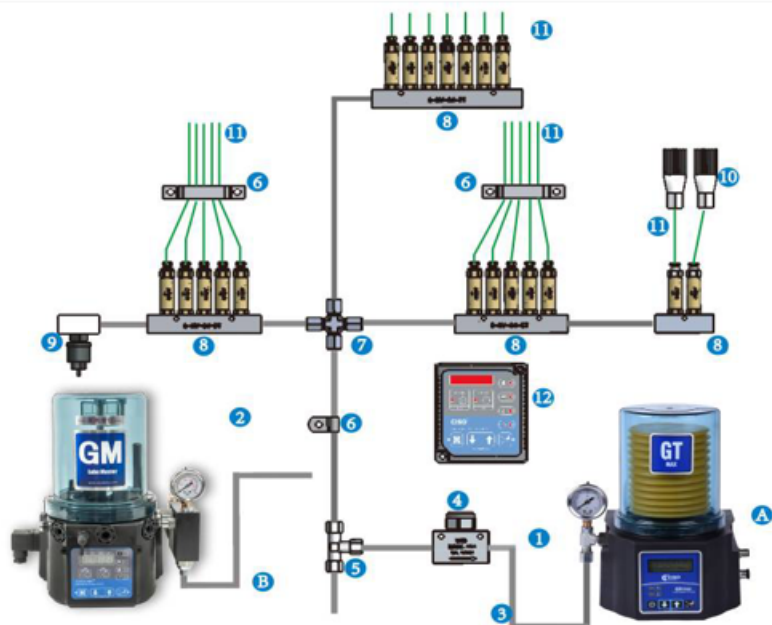
### 功能原理

计量阀安装在与泵连接的主管路上，计量阀具备一定的抗压力冲击、之后建立压力，压力将既定的润滑剂输送到润滑点系统卸压时，一定剂量的润滑剂在计量阀内重新补足，用于下一次润滑。

### The function

The dosing valves are impinged on the main line with the pump – dynamically operating metering valves with a pressure surge, static operating dosing elements with slow pressure build-up. These thus transfer the respective quantity of the lubricant to the friction point. During the following relief phase, the lubricant is restacked in the dosing valves for the next lubrication process.

结构示意图 Struture diagram



- A — GT-MAX
- B — GMS PUMP
- 1 — 出口安全阀组件
- 2 — 压力表
- 3 — 管路
- 4 — 过滤器
- 5 — 连接件 (三通)
- 6 — 管夹
- 7 — 连接件 (四通)
- 8 — 容积式分配器
- 9 — 控制元件 (压力开关)
- 10 — 油刷
- 11 — 至润滑点的支路
- 12 — 控制装置

- A — GT-MAX
- B — GMS PUMP
- 1 — Relief valve elements
- 2 — Pressure gauge
- 3 — Pipelines
- 4 — Filter
- 5 — Tee branching pieces
- 6 — Pipe clamps
- 7 — Four branching pieces
- 8 — Volumetric distributor
- 9 — Check device (pressure switch)
- 10 — Brush for smearing oil
- 11 — Line to the lubrication point
- 12 — Controller



## 单线式润滑系统 Single line lubrication system

### 1.应用 Application:

单线式润滑系统是机械行业应用最广泛的全损耗性润滑系统。

在一个设定的循环周期内，输送0.06-0.5ml的剂量的润滑油或流动润滑脂至润滑点，润滑点最高25bar的润滑压力，泵的压力是25-80bar。

The single line lubrication system is the most widely spread total loss lubrication system in the general engineering field.

Small quantities of oil or fluid grease are fed intermittently in the desired cycle time of the lubrication point. Example 5 to 1000 mm<sup>3</sup> dosing volume, to 25 bar pressure at lubrication point, for a pump pressure of 25 to 80 bar.

特点:

- 多种类型润滑点供应
- 装配灵活
- 剂量精确
- 安装便捷
- 可进行定点喷射润滑

Special features:

- Supply to numerous lubrication points
- Flexible construction
- Exact dosing
- Easy expansion
- Point-target type of spraying possible, e.g. chain bolt lubrication

### 2.工作原理 Mode of operation of the Ciso system :

泵从油箱泵出润滑剂，润滑剂通过卸压阀进入主管路，分油块和计量阀。系统建立压力后，在计量阀的控制下，润滑剂经过分管线被输送至润滑点。

The pump sucks the lubricant from the container. The lubricant reaches the main line, distributor strips and the dosing valves through the relief valve. For every pressure build-up controlled by the pressure control valve, the dosing valves deliver the lubricant to the lubrication point via the lubrication line. 在自动控制系统内，压力开关控制系统压力的建立，每一个循环周期，泵开启关闭一次。系统内压力到达最远计量阀的时间与系统长度和润滑剂的粘度有关。

In an automatically operated system, the pressure build-up is controlled by a max. pressure switch and the electronics. The pump is switched-off after the pressure build-up and again switched-on after the end of the cycle time. Pressure build-up from the unit up to the farthest metering valve requires a specific time depending upon the length of the line and flowability of the lubricant.

油箱内通过液位开关控制润滑剂的存量。泵停止工作时，系统通过卸压电磁阀将压力降至1bar。成功卸压对于计量阀来说很重要，卸压指令是通过压力开关来实现的。

A level control monitors the constant level of the lubricant in the container. By stopping the pump, the

### 单线式润滑系统 Single line lubrication system

entire system is relieved using the relief valve at ca. 1 bar. This is important for the function of the dosing valve and can be controlled via a min. pressure switch.

#### 3.设计 Design:

必须先确定润滑点和润滑要求, 确定好润滑剂量和间隔时间。确定润滑点的要求时, 最好满足小剂量, 短循环的原则。同时也必须周全考虑主管路的卸压时间, 流动脂的卸压时间, 因为温度、管线很长从而导致加时。主管路和计量阀的布局需设计系统留有排气口, 从而是初次使用系统时使用。系统内必须无气体杂质。

The first, determine the lubrication point, lubrication requirements, the lubrication and interval time. When determining the lubrication point requirements, it is best to meet the principle of small dose, short cycle. At the same time, the unloading time of the main road and the unloading time of the flowing grease must be taken into account, because of the temperature and the long pipeline, which leads to extra time. The main line and the dosing valve are laid such that self-venting is possible. On the main line end and higher points of the system, dosing valves must be arranged with outlets on the top. There must be no air inclusions.

系统内的压力应保持在低压状态, 由此新建压力可以快速传达直至系统末端。润滑剂粘度越大, 选用直径越大的管路。若泵的排量大于系统所需要的剂量, 而且压力开关失效, 那么润滑剂将从卸荷阀排出, 从而避免泵压力越来越大造成损伤。

The pipeline resistance of the system must be kept as little as possible so that pressure can build-up quickly at the end of the line. The more viscous the lubricant, the bigger should the line cross section be designed. If the pump delivers a flow rate much more than the system can take, and the pressure switch fails, then the lubricant will be discharged from the unloading valve to avoid damage caused by increasing pump pressure.

管路尺寸如下所示 Line dimensioning:

#### 主管路

高压树脂软管	11X6mm	用于主管路大于15米
高压树脂软管	8.6X4.2mm	用于主管路大于10米
钢管	6X1mm 8X1mm	用于主管路小于10米
尼龙管	6X1.2mm	用于主管路小于10米

#### 分管路

尼龙管	4X0.75mm
金属管	4X0.7mm

#### Main line:

High pressure resin hose	11X6mm	For main road > 15 m
High pressure resin hose	8.6X4.2mm	For main road > 10 m
Steel pipe	6X1mm 8X1mm	For main road < 10 m
Nylon pipe	6X1.2mm	For main road < 10 m

#### Lubrication lines:

Nylon pipe	4X0.75mm
metallic pipe	4X0.7mm

## 单线式润滑系统 Single line lubrication system

主管路应尽量短，尤其是使用黏性较高的润滑剂时。同时分支管路最好不要超过三米。

大型系统或者润滑剂黏性较高的时，建议进行预测试。这样就能确定压力建立时间和卸压时间。

Generally, the lines should be kept as short as possible particularly for viscid lubricants. Moreover, individual lubrication lines must not be longer than 3 m.

Pretests on an design true to the original are required for large systems or highly viscous lubricants. Pressure build-up and relief time must be determined here.

### 4. 润滑剂 Lubricant:

在大多数情况下，我们的系统使用流动NLGI000-1号润滑脂，确保润滑剂内没有其他的添加剂也非常重要，因为这些添加剂可能会对泵及分配阀的密封元件产生影响。我们可以为客户提供润滑剂的工厂内测试，如遇到特殊润滑剂进行系统测试，请联系销售人员。

Generally, NO. NLGI000-1 Flowing lubricating grease is used in our lubrication system. However, attention should be paid that these NBR seals are not affected. The function of synthetic lubricants or mineral oils can be checked with aggressive additives, on request. We can provide our customers with in-factory testing of lubricants. If you need special lubricants for system testing, please contact sales staff.

### 请注意！ Attention:

请勿混合不同的润滑剂！在注入新的油脂前务必保持整个系统的清洁。

流动脂不可与不兼容性的皂基混合。

do not possibly mix different lubricants! Ideally, the system must be cleaned.

No way must greases be mixed with non-compatible types of soaps.

### 5. 安装 Assembly:

请遵循润滑系统的常规安装清洁步骤，系统内不得存在杂质铁屑，切管后尤其注意！

参考机械手册的扭转力矩，使用铜件时候尤其注意。

尼龙管内要配置相应的铜衬套。

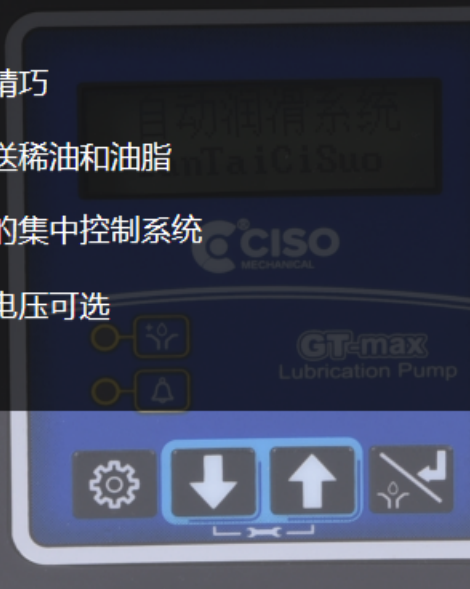
In principle, cleanliness customary to the hydraulic system must be observed. There should be no impurity iron filings in the system, especially after pipe cutting!

Refer to the mechanical manual for torque, especially when using copper fittings.

Nylon pipe to be equipped with the corresponding copper bushing.

# MAX 电动润滑泵

- 体积精巧
- 可输送稀油和油脂
- 强大的集中控制系统
- 多种电压可选



## 功能

### Functions

- 紧凑的外形设计

Compact design

- 供容积式系统使用

For use in Single-line lubrication systems

- 运行压力 Operating pressure:

10MPa

- 中英文控制系统

Chinese and english control system

- CE认证

CE certification

## 体积小，大性能

### HIGH PERFORMANCE IN A COMPACT PUMP

“GT-MAX 自动泵”是一款非常理想的中小型设备的油脂泵。

西索的GT-MAX可以适用于容积式润滑系统。

“GT-MAX AUTOMATIC PUMP” is an ideal small and medium grease pump.CISO'S GT-MAX can be used in Single line lubrication system.

容积式: 10MPa 10ml/min

Single line lubrication system: 10MPa 10ml/min

出油口置于左部，标准配置出口压力表组件GT-MAX外形十分紧凑，可配备预充的油脂包。

The outlet is placed on the left. The GT-MAX gauge assembly is compact and can be equipped with a pre-filled grease pack.

先进的自动泄压功能，与西索的B-MV定量阀、压力开关组合成一套经济适用的容积式系统，特别适合于机床、纺机、机器臂等自动化设备的润滑解决方案。

**Advanced automatic pressure relief function**, combined with CISO's **B-MV** quantitative valve and pressure switch into a set of economic and applicable positive displacement system.Especially suitable for machine tools, spinning machines, machine hands and other automatic equipment lubrication.



#### 技术特性 Technical characteristic

转速 RPM	28r/min
流量 Flow	10ml/min
运行温度 Operation Temperature	-30 - 70°C
电压 Voltage	12VDC、24VDC
容积 Volume	700CC
润滑剂 Lubricant	NLGI000-1
出口数量 Outlets	LEFT 1
出口螺纹 Outlet thread	6mm

## GT-MAX 润滑泵 GT-MAX Lubrication pump

GT-MAX可以提供两种不同的控制方式:

1. **简易型**, 需要外部PLC进行控制, 配备简易面板, 提供本地运行指示及低液位峰鸣报警,
2. **自动型**, 人性化的中英文液晶显示屏, 控制模式易于操作, 强大的数据系统提供实时数据.

GT-MAX have two different versions:

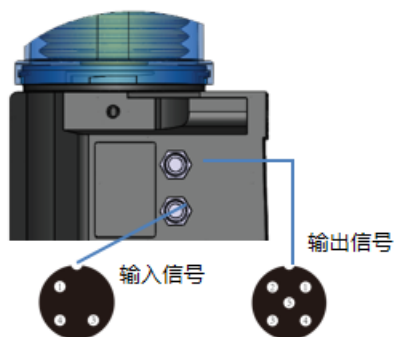
1. **Simplicity**, which needs external PLC for control, equipped with a suggestion panel, providing local operation indication and peak alarm of low liquid level.
2. **Automatic**, humanized LCD screen in Both Chinese and English, easy to operate control mode, powerful data system provides real-time data.



此系统是一种周期润滑系统, 由润滑泵、计量阀、相关管接件和控制部分等部件组成。润滑泵输出压力油, 计量阀将润滑剂定量地输送至各润滑部位。系统中可设置压力开关(可选件), 使润滑系统断流、失压、计量阀及主油管连接处泄露等得以监测, 并可根据各润滑点的实际需油量选择相应的计量阀。管线可以选择尼龙管, 铜管, 也可选择高压树脂柔性软管。 This system is a periodic lubrication system, which is composed of lubrication pump, metering valve, related pipe fittings and control parts. The lubrication pump outputs pressure oil, and the metering valve delivers lubricant quantitatively to each lubrication part. Pressure switch can be set in the system (optional), so that the lubrication system flow, pressure loss, metering valve and leakage of the main oil pipe connection can be monitored, and the corresponding metering valve can be selected according to the actual oil demand of each lubrication point. Pipeline can choose nylon pipe, copper pipe, also can choose high pressure resin flexible hose.

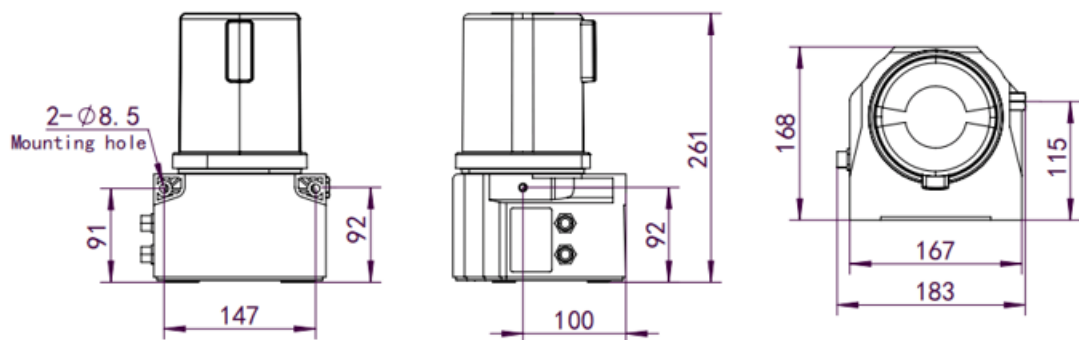
### 电气连接

#### Electrical Connection:



输入信号 Input signal		输出信号 Output signal	
1.棕 Brown	电源+24V Power+24V	1.棕 Brown	电源+24V Power+24V
3.蓝 Blue	压力输入 Pressure input	2.白 White	公共端 Common port
4.黑 Black	信号地 Signal earth	3.蓝 Blue	电源 Power 0V
		4.黑 Black	报警输出 Alarm output
		5.灰 Gray	警告输出 Warning output

## 产品尺寸 Dimensions:



## 订购信息 Order Information:

形式 Type	容积 Reservoir	电压 Voltage	型号 Part number
简单单线式润滑系统 Simple Single-line lubrication system	油脂包 Cartridge	12V	18C101
		24V	18C001
自动单线式润滑系统 Automatic Single-line lubrication system		12V	18C111
		24V	18C011

## 油脂包 Cartridge



描述 Description	型号 Part Number	容积 Reservoirs
油脂 Grease	CSL-C100	700CC
	CSL-J100	700CC

## 泵电源线 Pump connection cable



描述 Description	型号 Part Number
连接线 4芯 Connecting wire/4-core	MP035
连接线 5芯 Connecting wire/5-core	MP036



# GMS

## 电动润滑泵

- 体积更精巧
- 可输送稀油和油脂
- 多样的补脂方式
- 强大的集中控制系统
- 多种电压可选



## 特性

### Characteristics

- 可输送稀油和油脂  
Pump oil and grease

- 容积 Reservoirs:

1.5L

2L

4L

- 电压 Voltages: 12VDC

24VDC

- 多种补脂方式

Multiple grease filling ways

- 强大的集中控制系统

Powerful centralized

control system

- CE 认证

CE Certification

- 专利证书

Design patent

- IP65

## 产品应用

Applications

- 工程机械

Engineering machinery

- 风电

Wind energy

- 小型润滑设备

Small and medium

lubrication system

## 结构精巧，性能稳定

Refined structure and stable performance

## 先进的设计和解决方案

### DESIGN AND ADVANCED SOLUTIONS

具备紧凑和轻量型的外观设计，可输送稀油和油脂，特殊的本体材料，达到非常优异的抗震功能。

特别的泵罐设计，易于观察油位并有效阻隔紫外线照射，防止润滑油变质。

**具备两种型号模式 There are two model modes:**

**标准:** 由外部PLC管理。不带内置控制单元，因此是润滑系统中更加经济的解决方案。

**Standard:** can be managed by an external PLC. Since it does not come with an internal control unit, this is the most economic solution for lubricating your systems.

**自动:** 带集成控制系统，可本地设置运行时间。配备本地运行及报警指示灯，报警带蜂鸣，提供低液位及脉冲报警，可与分配元件的监控器组合成一套完美的运行系统。

**Automatic:** With integrated control system, which can be set up local running time. Equipped with local operation and alarm light, alarm with buzzer, provide low level and pulse alarm, which can be combined with the monitor of distribution units into a perfect operating system.

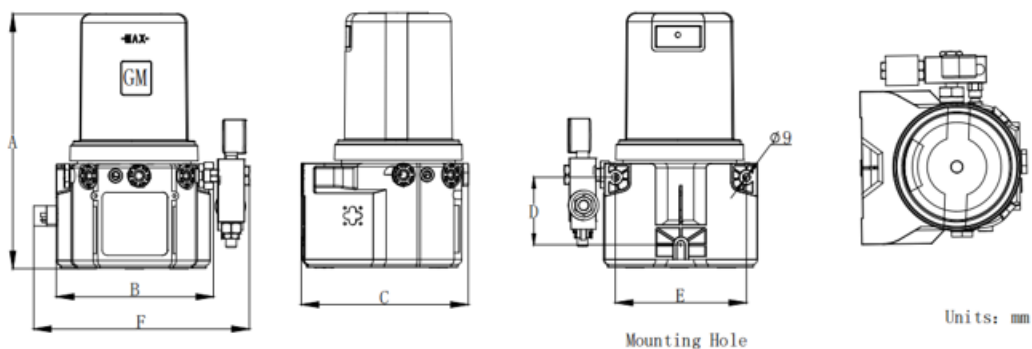


### 技术参数

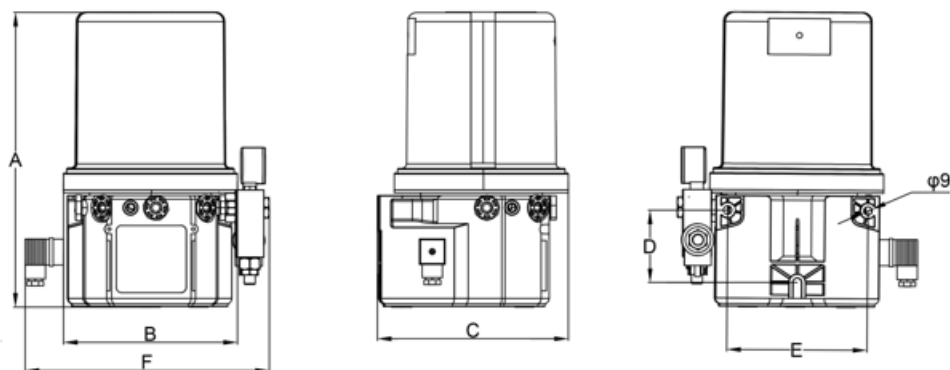
#### Technical characteristics

电压 Voltages	12V、24V
泵出口单元 Unit of pump outlet	1
出口螺纹尺寸 Outlet thread	G1/4
排量 Output	Max. 16 ml/min(1个泵元件 one pump element)
工作压力 Operating pressure	±50 to 100 bar (可调) adjustable from ±50 to 100 bar
容积 Reservoir Capacity	1.5L/2L/4L
润滑剂 Lubricants	OIL、000、00、0、1
工作温度 Operating temperatures	-40 - 90°C

产品尺寸 Dimensions:



容积 Reservoirs	A	B	C	D	E	F
1.5L	292	180	190	77	150	261



容积 Reservoirs	A	B	C	D	E	F
2L	315.8	186	204.1	77	150	261
4L	358.3	186	203.6	77	150	261

## 订购信息 Ordering information:

23-       

<b>类型 Type</b> D = 搅拌杆 Stir	
<b>容积 Reservoir</b> 1 = 1.5L 2 = 2L 4 = 4L 7= 油脂包 Cartridge	
<b>电压 Voltages</b> 2 = 12VDC 4 = 24VDC 6 = 220VAC	
<b>控制器 Timer</b> 1 = 带控制 With timer 6 = 不带控制 Without timer	
<b>低液位 Low Level</b> L= 带低液位 With level M= 不带低液位 Without level	
<b>润滑剂 Lubricant</b> G = 油脂 Grease O = 稀油 Oil	
<b>补脂方式 Fill Type</b> Blank = 黄油嘴 Grease Nipples F= 快插接头 Quick connection C= 顶部开盖 Top cap	



**GT  
PLUS**

- 润滑时间30s，间隔时间5-10min
- 开盖前请清理盖壳底，防止杂质进入泵内，注意黄油清洁，杂质进入不利于工作；
- 润滑油（脂）液位低于MIN最低液位线时请及时补油，补油不能超过MAX最高液位线，否则会导致油溢出；
- 严禁使用酒精擦拭泵体，可能会缩短泵体的使用寿命。



# GTS 电动润滑泵

- 可输送稀油和油脂
- 多样的补脂方式
- 强大的集中控制系统
- 多种电压可选

## 特性

### Characteristics

- 可输送稀油和油脂

Pump oil and grease

- 容积 Reservoirs:

2L

4L

6L

8L

- 电压 Voltages:

12VDC

24VDC

220V

- 多种补脂方式

Multiple grease filling ways

- 强大的集中控制系统

Powerful centralized control system

- CE 认证

CE Certification

- 专利证书

Design patent

- IP65

## 产品应用

Applications

- 重型车辆

Heavy VEHICLES

- 重工业

Heavy industries

- 链条&齿轮

Chain&Gear

- 机床

Machine tools

- 移动式厂房机械

Mobile plant machine

## 泵体坚固 功能强大

## THE SMALL PUMP

## PACKAGE

## WITH BIG FEATURES



GTS是一款高压柱塞泵，最多可配五个泵元件。其设计特别适用于单线系统。

GTS pump is a piston pump predisposed to operate with a maximum of five pumping units, its design is particularly suitable for single-line systems.

### 具备两种型号模式

**标准:** 由外部PLC管理。不带内置控制单元，因此是润滑系统中更加经济的解决方案。

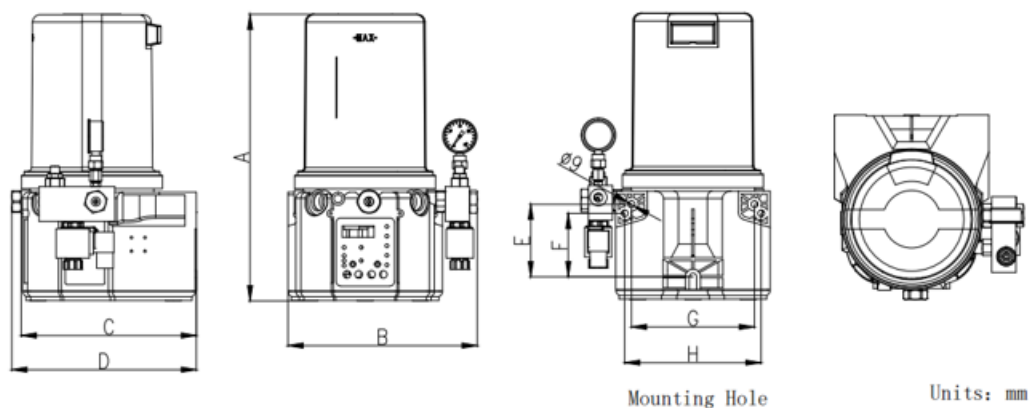
**自动:** 带集成控制系统，可本地设置运行时间。配备本地运行及报警指示灯，报警带蜂鸣，提供低液位及脉冲报警，可与分配元件的监控器组合成一套完美的运行系统。

**Standard:** can be managed by an external PLC. Since it does not come with an internal control unit, this is the most economic solution for lubricating your systems.

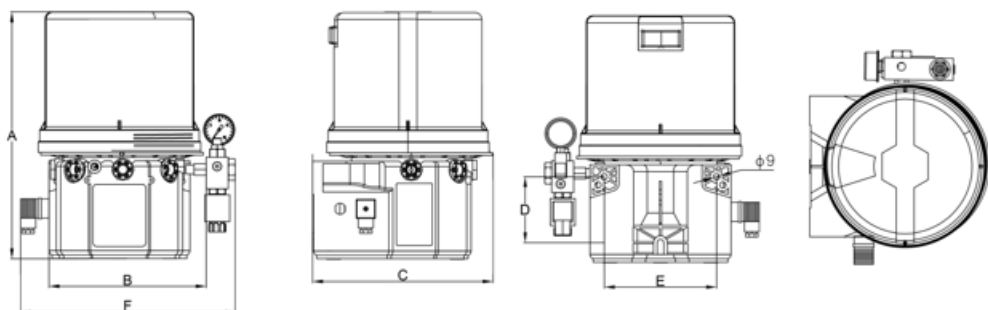
**Automatic:** With integrated control system, which can be set up local running time. Equipped with local operation and alarm light, alarm with buzzer, provide low level and pulse alarm, which can be combined with the monitor of distribution units into a perfect operating system.

技术参数 Technical characteristics	
电压 Voltages	12VDC、24VDC、220V
泵出口单元 Unit of pump outlet	1
出口螺纹尺寸 Outlet thread	G1/4
排量 Output	Max. 15 ml/min(1个泵元件 one pump element)
工作压力 Operating pressure	±70 to 150bar (可调) adjustable from ±70 to 150bar
容积 Reservoir Capacity	2L、4L、6L、8L
润滑剂 Lubricants	OIL、000、00、0、1
工作温度 Operating temperatures	-40 - 90°C

产品尺寸 Dimensions:

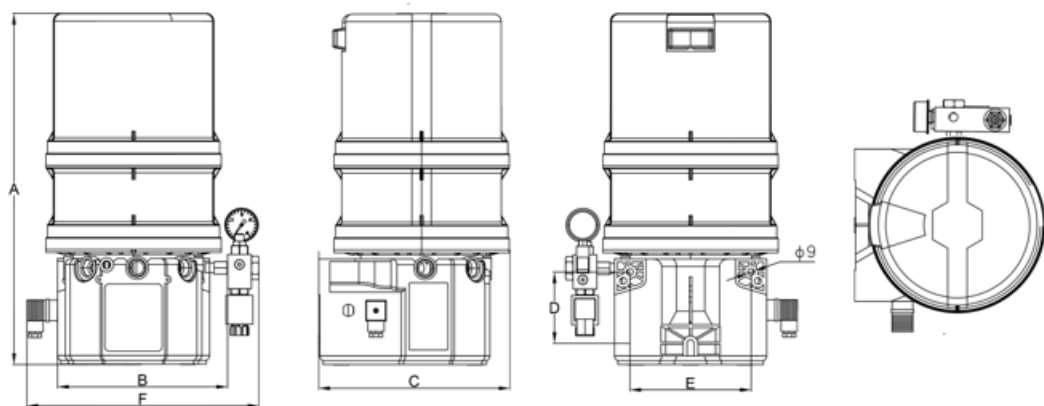


容积 Reservoirs	A	B	C	D	E	F	G	H
2L	338	255	231.5	248	95.5	83.5	162.5	180
4L	378	255	231.5	248	95.5	83.5	162.5	180



容积 Reservoirs	A	B	C	D	E	F
6L	375.5	243	261.2	95.5	162.5	311

## 产品尺寸 Dimensions:



容积 Reservoirs	A	B	C	D	E	F
8L	470	243	261.2	95.5	162.5	311

订购信息 Ordering information:

21-       **类型 Type**

D = 搅拌杆 stirrer

E = 压油盘 with follower plate

**容积 Reservoir**

2 = 2L

4 = 4L

6 = 6L

8 = 8L

**电压 Voltages**

2=12VDC

4=24VDC

6=220V

**控制系统 Timer**

1 = 带控制器 With timer

6 = 不带控制器 Without timer

**低液位 Low Level**

L = 带低液位 With level

M = 不带低液位 Without level

**润滑剂 Lubricant**

G = 油脂 Grease

O = 稀油 Oil

**补脂方式 Fill Type**

空白 Blank = 黄油嘴 Grease Nipples

F = 快插接头 Quick connection

C = 顶部开盖 (压油盘型不适用)

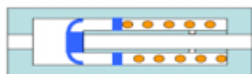
Top cap (Not suitable for Follower plate type pump)



# 适用于单线式润滑系统

## Metering Valves For Single Line Lubrication System

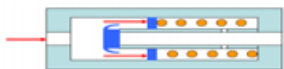
工作原理 Working principle:



位置1: 起始位、主管路开, 计量阀在起始位置, 单向阀关闭

Position 1:

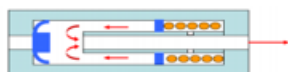
Initial position. Main line is ventilated. Return valve in the initial position.



位置2: 计量冲程开始, 单向阀处于交替位置, 润滑剂注入

Position 2:

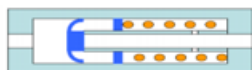
Dosing through pulse initiated. Return valve in the restacking position. Fill lubricant.



位置3: 置换计量, 卸压后, 置换等量润滑剂进入阀芯内

Position 3:

Dosing. Return valve encircles the main line. Spring force of the seal doses the lubricant.



位置4: 复位到初始位置

Position 4: Back to the initial position.

### 特性

- 加压定量分配阀
- 供单线式系统使用
- 可靠高效
- 操作压力: 动作压力 > 1.5Mpa  
回复压力 < 0.5Mpa
- 计量精确, 性能稳定
- 双重密封、无泄漏

### Characteristics

- Pressurized ration distribution valve
- For Single Line Lubrication System
- Reliable and efficient
- Operating pressure: action pressure > 1.5MPa  
back pressure < 0.5MPa
- Measured Accurately Stable performance
- Dual-seal, Leak-tightness



# MV VALVE

加压定量分配阀

Pressurized ration distribution  
valve

动作压力:  $\geq 1.5\text{MPa}$

回复压力:  $\leq 0.5\text{MPa}$

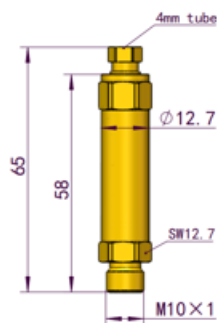
标准出口: 4mm



## MV 计量阀

## 适用于单线式系统的精确计量元件

Accurate Dosing Elements For Single Line Lubrication System



“MV计量阀”是一款适用经济型的轻型设备的分配元件。  
标准配置材质为铜，可定制碳钢材质。

“MV Metering Valves” Is a distribution elements for economical light equipment. Carbon steel can be customized.

Standard material is Brass.

动作压力：大于等于1.5MPa

回复压力：小于等于0.5MPa

标准出口为4mm，可以选择卡套或快插

Action pressure:  $\geq 1.5$ MPa

Back pressure:  $\leq 0.5$ MPa

Standard outlet: 4mm, sleeve or ferrule for choice

### 特性

- 加压定量分配阀
- 供单线式系统使用
- 标准材质铜
- 运行温度:-30 ~ +170°C
- 可靠高效
- 计量精确，性能稳定
- 双重密封、无泄漏

### Characteristics

- Pressurized ration distribution valve
- For Single Line Lubrication System
- Standard material : Brass
- Operating temperature : -30 ~ +170°C
- Reliable and efficient
- Measured Accurately, Stable performance
- Dual-seal、Leak-tightness

## MV计量阀 MV Metering Valves

技术参数 Technical characteristics	
出口数量 Outlets	1 to 8
排量 Flow rate	0.06ml, 0.1ml, 0.2ml, 0.3ml, 0.4ml, 0.5ml
润滑剂 Lubricant	NLGI 0, 00,000
工作温度 Operating temperature	-30 to +170 °C
工作压力 Operating pressure	Max. 8 Mpa
材质 Material	铜 Brass; 碳钢 Steel
进口尺寸 Connection main line	M10*1
出口尺寸 Connection outlet	4mm in O.D. tube

### 单支MV计量阀订购信息 Ordering information of single MV metering valve

类型 Type	排量 Output	型号 Part number	类型 Type	排量 Output	型号 Part number
卡套螺母 Sleeve nut fitting	0.06ml	MV-S06	快插接头 Push-in Fitting	0.06ml	MV-Q06
	0.1ml	MV-S10		0.1ml	MV-Q10
	0.2ml	MV-S20		0.2ml	MV-Q20
	0.3ml	MV-S30		0.3ml	MV-Q30
	0.4ml	MV-S40		0.4ml	MV-Q40
	0.5ml	MV-S50		0.5ml	MV-Q50

卡套螺母 sleeve nut fitting

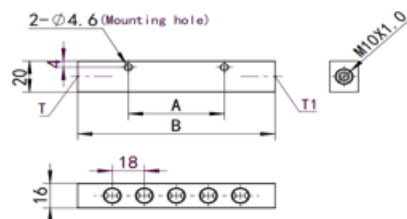
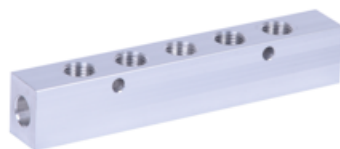


快插接头 Push-in Fitting



## 增加DB分油块规格型号 Distribution block:

型号 Part Number	T/T1	出口 Out Thread	出口数 Out Number	B	A
DB03304	M10*1	M10*1	1	39	-
DB04304	M10*1	M10*1	2	57	-
DB05304	M10*1	M10*1	3	75	18
DB06304	M10*1	M10*1	4	93	36
DB07304	M10*1	M10*1	5	111	54
DB08304	M10*1	M10*1	6	129	72
DB09304	M10*1	M10*1	7	147	90
DB10304	M10*1	M10*1	8	165	108



注：出油口数可定做

Note: The number of outlets can be customized.

分油块需要与MV配套使用，标准材质为铝，如需订购钢件，请在原型号加后缀-S，例如：DB04304-S

Distribution block should be used with MV. The standard material is aluminum. If you want to order steel parts, please add the suffix -s to the original model. eg.: DB04304-S



## MV计量阀 MV Metering Valves

整套订购信息 Ordering information of complete set :



BMV	Q4	3T	10/10/10
-----	----	----	----------

### MV计量阀材质

#### MV metering valve material

BMV = Brass

SMV = Steel

### 出口接头尺寸

#### Outlet Connector

Q4= 4mm Push-in Fitting

S4=4mm Sleeve nut fitting

### 出口数量

#### Number of metering points

1T = 1outlet      2T = 2 outlets

3T = 3 outlets    4T = 4 outlets

5T = 5 outlets    6T = 6 outlets

7T = 7 outlets    8T = 8 outlets

### 排量

#### Flow rate

06 = 0.06ml      30 = 0.3ml

10 = 0.1ml        40 = 0.4ml

20 = 0.2ml        50 = 0.5ml

# 55V VALVE

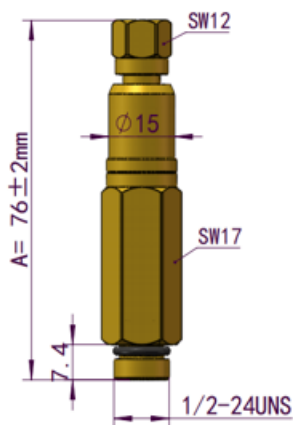
加压定量分配阀

Pressurized ration distribution  
valve

工作压力 Operating pressure: 40 -  
80 Bar



## 55V 计量阀



- 材质 Material: 铜 Brass
- 排量 Output: 0.05/0.1/0.15/0.2/0.25/0.4/0.8ml
- 压力 Pressur: Max. 200 Bar
- 工作压力 Operating pressure: 40 - 80 Bar
- 润滑剂 Lubricants: NLGI 000 00 1
- 出口尺寸 Outlet Connetor: 6mm

订购信息 Ordering information:

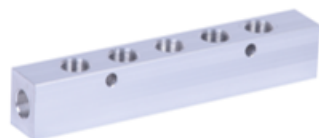
类型 Type	排量 Output	型号 Part number
卡套螺母接头 sleeve nut fitting	0.05	55V05
	0.1	55V10
	0.15	55V15
	0.2	55V20
	0.25	55V25
	0.4	55V40
	0.8	55V80





增加DB分油块选型 Distribution block:

型号 Part Number	入口螺纹 Inlet Thread	出口螺纹 Out Thread	出口数量 Out Number
DB988	G1/4	1/2-24UNS	1-6
DB989	G1/4	1/2-24UNS	7-14



带O型圈的平面堵头 Manifold Meter Port Plug with O-ring:

型号 Part Number	螺纹 Thread
3GA08	1/2-24UNS

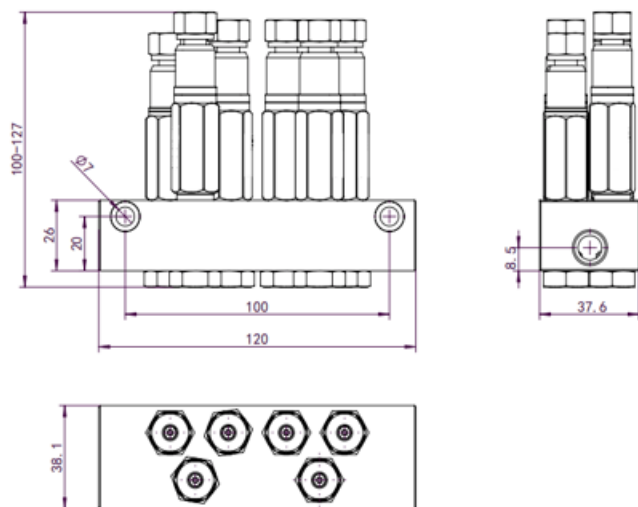


带O型圈的内六角堵头 Manifold Inlet Plugs with O-ring:

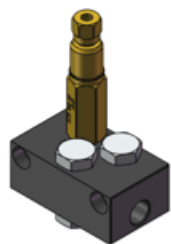
型号 Part Number	螺纹 Thread
3G752	1/2-24UNS



6 Point Manifold Dimensions



### 典型实例 Typical examples:



1个润滑点

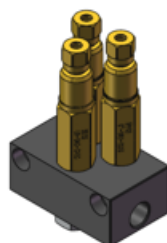
One Lubrication point

包含 Contain:

55V 1PCS

DB988 1PCS

3GA08 5PCS



3个润滑点

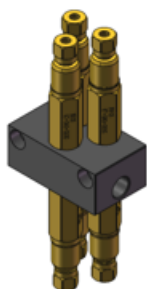
Three Lubrication point

包含 Contain:

55V 3PCS

DB988 1PCS

3GA08 3PCS



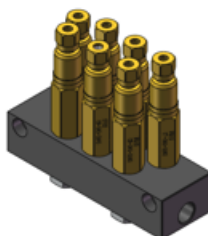
6个润滑点

SIX Lubrication point

包含 Contain:

55V 6PCS

DB988 1PCS



7个润滑点

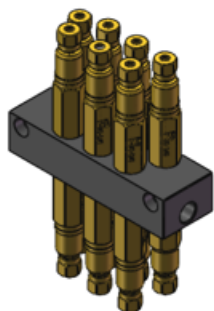
Seven Lubrication point

包含 Contain:

55V 7PCS

DB989 1PCS

3GA08 7PCS



14个润滑点

Fourteen Lubrication point

包含 Contain:

55V 14PCS

DB989 1PCS



# VL-32 VALVE

配备1至4个端口(润滑点)

Shipped with manifolds from 1 to 4 ports to match number of lube points

排量可调

Metering quantity adjustable



## VL-32 系列计量装置



VL-32计量装置的设计目的是通过进料管线压力将润滑剂输送到摩擦点。  
VL-32 injector has been designed to deliver lubricant to friction points through the feeding line pressure.

这些注入器配有可视化的内置液位指示器，以监控操作情况。

These injectors are supplied with visual in-built level indicators to monitoring the operation.

VL-32计量装置有不同的型号:从一个到四个出口。安装在分油块上的每个计量装置都可以轻松更换或检查，无需拆卸设备或操作配件和油管。

VL-32 injector is available in different models: from one to four outlets. Every injector mounted on a manifold can be easily replaced or inspected without disassembling the unit or operating on fittings and tubings.

这些装置可以安装在任何位置，如果需要，也可以与其他类型的计量装置一起使用。

These units can be installed in any position and can be used with other types of injectors, if necessary.

### 特点与优势

#### Features and benefits

- 配备1至4个端口(润滑点)

Shipped with manifolds from 1 to 4 ports to match number of lube points

- 输出外部可调

Output is externally adjustable

- 指示器阀杆允许目视检查运行情况

Indicator stem permits visual check of operation

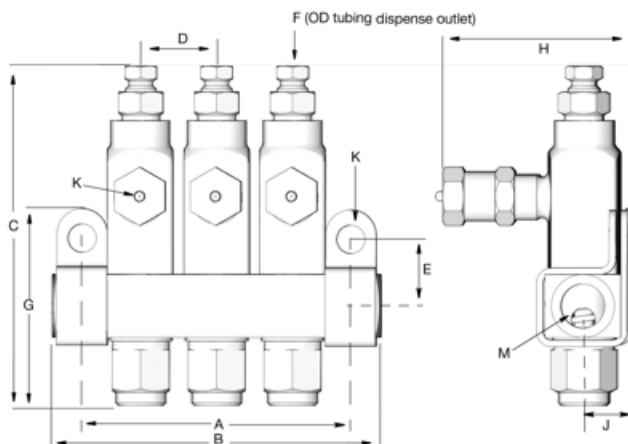
- 能轻易拆下检查或更换

Can be removed easily for inspection or replacement

#### 技术参数 Technical characteristics

出口数量 Outlets	1 to 4
分配量 Metering quantity	0.016 - 0.131 ml (可调 adjustable)
润滑剂 Lubricant	油脂 Grease NLGI 0, 1, 2
工作温度 Operating temperature	Max. +93 °C; +200 °F
工作压力 Operating pressure	8.3 to 24 Mpa
材质 Material	碳钢 Carbon steel
主管道连接 Connection main line	1/8 NPT(F)
连接出口 Connection outlet	1/8 in O.D. tube

## 产品尺寸 Dimensions:



Injector	A/mm	B/mm	C/mm	D/mm	E/mm	F	G/mm	H/mm	J/mm	K/mm	M/mm
1 point manifold	28.9	44.4	79.4	N/A	17.3	6mm O.D. tube	47.75	48.77	11.68	φ7.11	1/8 NPT (F)
2 point manifold	48.26	63.5	79.4	19	17.3		47.75	48.77	11.68	φ7.11	1/8 NPT (F)
3 point manifold	67.06	82.5	79.4	19	17.3		47.75	48.77	11.68	φ7.11	1/8 NPT (F)
4 point manifold	86.11	101.6	79.4	19	17.3		47.75	48.77	11.68	φ7.11	1/8 NPT (F)

## Ordering information:

型号 Part number	出口数量 Output Number	出口尺寸 Outlet	进口尺寸 Inlet
40D164	1	6mm O.D. tube	1/8 NPT (F)
40D264	2	6mm O.D. tube	1/8 NPT (F)
40D364	3	6mm O.D. tube	1/8 NPT (F)
40D464	4	6mm O.D. tube	1/8 NPT (F)

# VL-1 VALVE

配备1至6个端口(润滑点)

Shipped with manifolds from 1 to 6 ports  
(lubrication points)

排量可调

Metering quantity adjustable



## VL-1、VL-1X 系列计量装置

适用于单线高压集中润滑系统

### For use in single-line lubrication systems

输送润滑油粘度可达NLGI 2。输出外部可调。指示器引脚允许目视检查计量设备的操作。

单独的计量装置可以很容易地拆卸检查或更换。

The series VL-1、VL-1X metering devices are for single-line, high-pressure centralized lubrication systems dispensing lubricants compatible with fluoroelastomer packings and viscosity up to NLGI 2. Output is externally adjustable. An indicator pin permits visual check of metering device operation. Individual metering devices can be removed easily for inspection or replacement.



#### 特性

- 配备1至6个端口(润滑点)

Shipped with manifolds from 1 to 6 ports (lubrication points)

- 输出外部可调

Output is externally adjustable

- 每个指示器引脚允许目视检查注入器运行情况

Each indicator pin permits visual check of injector operation

- 单个计量装置可随意拆卸检查或更换

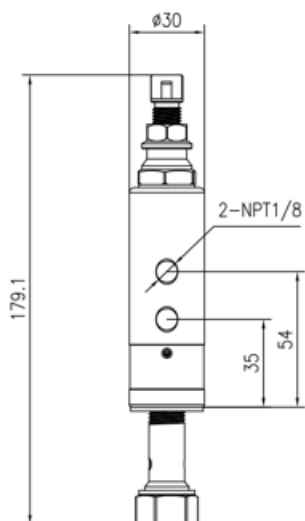
Individual metering devices can be removed easily for inspection or replacement

#### 技术参数 Technical characteristics

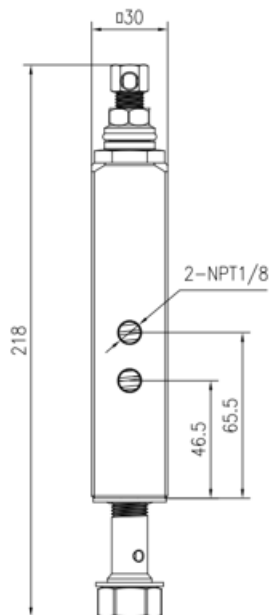
产品名称 Product name	VL-1	VL-1X
出口数量 Outlets	1 to 6	1 to 6
分配量 Metering quantity	0.131 - 1.31 ml (可调 adjustable)	0.25 to 1.31 ml (可调 adjustable)
润滑剂 Lubricant	油脂 Grease NLGI 0, 1, 2	油脂 Grease NLGI 0, 1, 2
工作温度 Operating temperature	-26 to +176 °C	Max. 82°C
工作压力 Operating pressure	128 to 241 bar	128 to 414 bar
材质 Material	碳钢 Carbon steel	碳钢 Carbon steel
主管道连接 Connection main line	3/8 NPT (F)	3/8 NPT (F)
连接出口 Connection outlet	1/8 NPT (F)	1/8 NPT (F)

单计量阀订购信息 Ordering information of single metering valve

VL-1



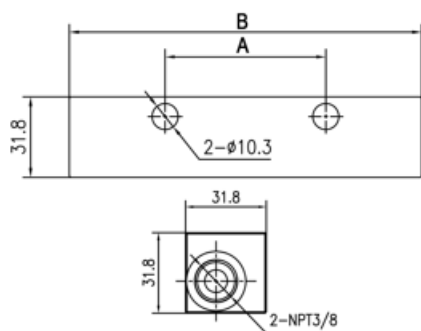
VL-1X



型号 Part number	螺纹 Connection outlet
VL1000	1/8 NPT (F)

型号 Part number	螺纹 Connection outlet
VL1X00	1/8 NPT (F)

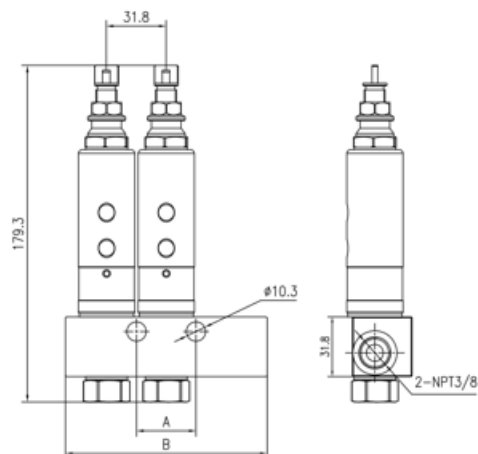
计量阀底座 Distributor block:



型号 Part number	出口数量 Output Number	A/mm	B/mm
DBVL01	1	-	63
DBVL02	2	-	76.4
DBVL03	3	31.7	107.5
DBVL04	4	63.4	139
DBVL05	5	95.1	170.5
DBVL06	6	126.8	202.7

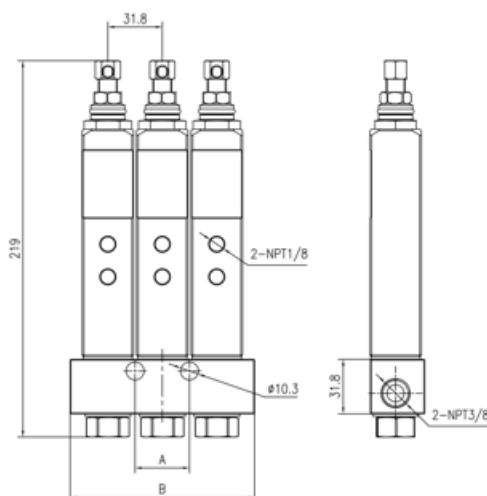


Ordering information of complete set for VL-1 :



型号 Part number	出口数量 Output Number	A/mm	B/mm	Inlet	Outlet
VL110602	1	-	63	3/8 NPT (F)	1/8 NPT (F)
VL120602	2	-	76.4		
VL130602	3	31.7	107.5		
VL140602	4	63.4	139		
VL150602	5	95.1	170.5		
VL160602	6	126.8	202.7		

Ordering information of complete set for VL-1X :



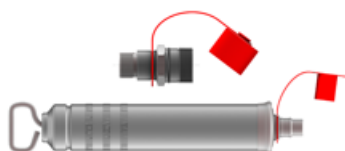
型号 Part number	出口数量 Output Number	A/mm	B/mm	Inlet	Outlet
VL1X01	1	-	63	3/8 NPT (F)	1/8 NPT (F)
VL1X02	2	-	76.4		
VL1X03	3	31.7	107.5		
VL1X04	4	63.4	139		
VL1X05	5	95.1	170.5		
VL1X06	6	126.8	202.7		



## SIMPLE SOLUTIONS to PRECISE LUBRICATION



前端补脂枪套件 Follow plate ang grease gun kits:



名称 Description	型号 Part number	油脂接头 Grease fitting
补脂枪 套件 Grease Gun Kits	MG500	普通接头 Standard Connector
补脂枪 套件 Grease Gun Kits	MG500-C	带止回阀接头 Grease fitting with check valve



名称 Description	型号 Part number	适用油桶 Oil drum
压油盘 Follower Plate	95660C	16KG

泵元件 & 润滑系统附件 Electric lubrication pump accessories:

泵出口组件 Pump outlet assembly

快速补脂接头 Grease filling connector



型号 Part number	描述 Description	压力 Pressure	OD	型号 Part number	描述 Description	螺纹 Thread
80532PG	带压力表 With pressure gauge	16MPa	6mm	80220	公头 Male connector	R1/4
80532PG-8			8mm			
80532	不带压力表 Without pressure gauge		6mm	80221	母头 Female connector	R1/4
80532-8			8mm			
80533PG	带压力表 With pressure gauge	40MPa	6mm			
80533PG-8			8mm			
80533	不带压力表 Without pressure gauge		6mm			
80533-8			8mm			

GT 泵芯/柱塞 GT Pumping Element



型号 Part number	外径 OD	流量 Rated flow
80536	6mm	K6; 4ml/min
80537	7mm	K7; 5ml/min

GM 泵芯/柱塞 GM Pumping Element



型号 Part number	外径 OD	流量 Rated flow
88535	5mm	P5; 3.3ml/min
88536	6mm	P6; 4ml/min

安全阀 Safety valve



型号 Part number	压力 Pressure	外螺纹 Male thread
5FI05	207bar/3000psi	M10*1

安全阀 Safety valve



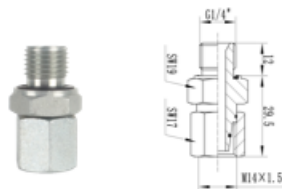
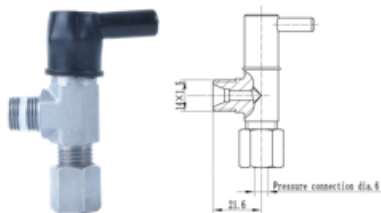
型号 Part number	描述 Description	外螺纹 Male thread
5FI07	275bar/4000psi	NPT1/8

直通接头

Straight fitting assembly

配合5FJ01使用

Use with 5FJ01



型号 Part number	管径 OD	外螺纹 Male thread	压力 Pressure
5FJ01	φ6	M14*1.5	345bar/5000psi

型号 Part number	内螺纹 Female thread	外螺纹 Male thread	材质 Material
5G1404	M14*1.5	G1/4 ED	碳钢镀锌镍 Zinc plated

控制器防护罩 Controller shield



描述 Description	型号 Part number	类型 Type
PC	97116	适配GT/GW
PC	97117	适配GM

泵安装支架 Mounting bracket



描述 Description	型号 Part number	类型 Type
泵安装支架 Mounting bracket	90234	适配GT/GW
	90235	适配GM

手动运行按钮（绿色指示灯）  
Button with green lamp



描述 Description	型号 Part number
12V	90212
24V	90224

压力开关 Pressure switch



描述 Description	型号 Part number
可调整型 Adjustable Type	91346
压力固定 - 20MPa Pressure fixation	96520
压力固定 - 25MPa Pressure fixation	96521
压力固定 - 3.5MPa Pressure fixation	96522

用于快速补脂的油脂包 Cartridge



描述 Description	型号 Part number	容积 Reservoir
油脂包 Cartridge	CSL-J100	700CC
	CSL-C100	700CC

直通卡套接头 带锥度密封/带止回阀  
Straight fitting with check valve 25Mpa



直通接头 带锥度密封/带止回阀  
Straight fitting with check valve



型号 Part number	管径 OD	螺纹 Thread	材质 Material
5CM0610	Ø6	M10*1	碳钢镀镍 Nickel-plated steel

型号 Part number	内螺纹 F.Thread	外螺纹 M.Thread	材质 Material
5DC10	M10*1	M10*1	碳钢镀白锌 Zinc plated

直通卡套接头 Straight fitting assembly



直角卡套接头 Angle fitting assembly



型号 Part number	管径 OD	螺纹 Thread	材质 Material
5DM0602	Ø6	R1/8	碳钢镀白锌 Zinc plated
5DM0610	Ø6	M10*1	碳钢镀白锌 Zinc plated
5DM0608	Ø6	M8*1	碳钢镀白锌 Zinc plated
5DM0606	Ø6	M6*1	碳钢镀白锌 Zinc plated
5DM0402	Ø4	R1/8	碳钢镀白锌 Zinc plated
5DM0410	Ø4	M10*1	碳钢镀白锌 Zinc plated
5DM0408	Ø4	M8*1	碳钢镀白锌 Zinc plated
5DM0406	Ø4	M6*1	碳钢镀白锌 Zinc plated

型号 Part number	管径 OD	螺纹 Thread	材质 Material
5HM0602	Ø6	R1/8	碳钢镀白锌 Zinc plated
5HM0610	Ø6	M10*1	碳钢镀白锌 Zinc plated
5HM0608	Ø6	M8*1	碳钢镀白锌 Zinc plated
5HM0606	Ø6	M6*1	碳钢镀白锌 Zinc plated
5HM0402	Ø4	R1/8	碳钢镀白锌 Zinc plated
5HM0410	Ø4	M10*1	碳钢镀白锌 Zinc plated
5HM0408	Ø4	M8*1	碳钢镀白锌 Zinc plated
5HM0406	Ø4	M6*1	碳钢镀白锌 Zinc plated

直通快插接头 带锥度密封/带止回阀  
Push-in Fittings with check valve 25Mpa



直通快插接头 带锥度密封  
Push-in Fittings 25Mpa



型号 Part number	管径 OD	螺纹 Thread	材质 Material
FP1104M10	Ø4	M10*1	碳钢镀白锌 Zinc plated
FP1106M10	Ø6	M10*1	碳钢镀白锌 Zinc plated

型号 Part number	管径 OD	螺纹 Thread	材质 Material
HPQ1106M10	Ø6	M10*1	碳钢镀白锌 Zinc plated

直通卡套接头 Straight fitting assembly



直通卡套接头 带止回阀  
Straight fitting with check valve



型号 Part number	管径 OD	螺纹 Thread	材质 Material
5PM0602	Ø6	NPT1/8	碳钢镀镍 Nickel-plated steel

型号 Part number	管径 OD	螺纹 Thread	材质 Material
S14-06	Ø6	M10*1	碳钢镀白锌 Zinc plated

直通接头 Straight fitting



直角卡套接头 Angle fitting assembly



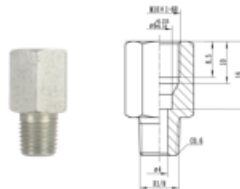
型号 Part number	内螺纹 Thread	外螺纹 Thread	材质 Material
5GN02	NPT1/8	NPT1/8	碳钢镀镍 Nickel-plated steel

型号 Part number	管径 OD	螺纹 Thread	材质 Material
5NM0602	Ø6	NPT1/8	碳钢镀镍 Nickel-plated steel

直通卡套接头 Straight fitting



直通接头 Straight fitting



型号 Part number	管径 OD	内螺纹 Thread F	材质 Material
5SF0610	Ø6	M10*1	碳钢镀白锌 Zinc plated

型号 Part number	外螺纹 Thread M	内螺纹 Thread F	材质 Material
5G0210	R1/8	M10*1	碳钢镀镍 Nickel-plated steel
5G0808	M8*1	M8*1	
5G0404	R1/4	R1/4	
5G1010	M10*1	M10*1	

铰接接头 BANJO



型号 Part number	管径 OD	外螺纹 Thread M	材质 Material
5C0602	Ø6	R1/8	碳钢镀锌彩 Zinc Color-plated
5C0610	Ø6	M10*1	碳钢镀锌彩 Zinc Color-plated

BANJO 带黄油嘴 With grease Nipples



BANJO 不带黄油嘴 Without grease Nipples



型号 Part number	外螺纹 Thread M	材质 Material
31M10	M10*1	镀白锌、镀锌镍 Zinc plated Nickel-plated steel
31M18	G1/8	镀白锌、镀锌镍 Zinc plated Nickel-plated steel

型号 Part number	管径 OD	外螺纹 Thread M	材质 Material
BN0610	Ø6	M10*1	碳钢镀白锌 Zinc plated



双卡套直通接头

Straight tube-to-tube connectors

加长管件总成

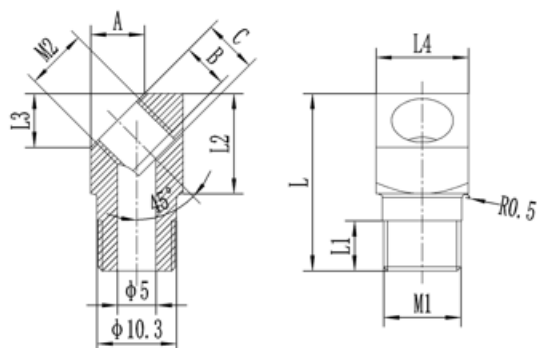
Extension fitting assembly



型号 Part number	管径 OD	管径 OD	材质 Material
5D0404	Ø4	Ø4	碳钢镀白锌 Zinc plated
5D0406	Ø4	Ø6	碳钢镀白锌 Zinc plated
5D0606	Ø6	Ø6	碳钢镀白锌 Zinc plated
5D0608	Ø6	Ø8	碳钢镀白锌 Zinc plated
5D0808	Ø8	Ø8	碳钢镀白锌 Zinc plated

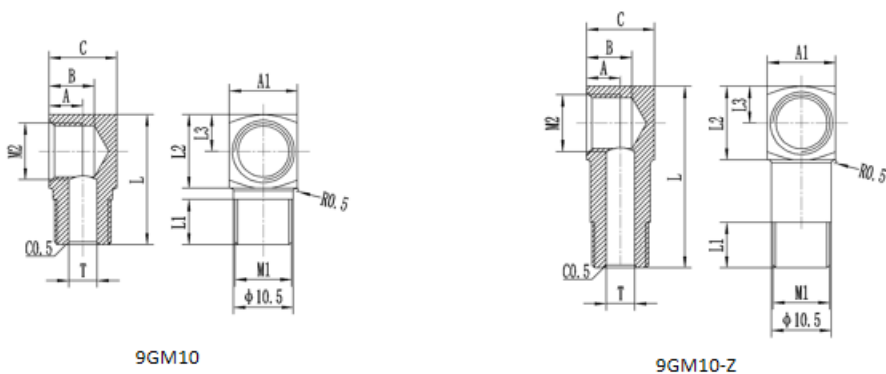
型号 Part number	管径 OD	外螺纹 Thread M	材质 Material
5KM0602	Ø6	R1/8	碳钢镀白锌 Zinc plated
5KM0610	Ø6	M10*1	碳钢镀白锌 Zinc plated
5KM0608	Ø6	M8*1	碳钢镀白锌 Zinc plated
5KM0606	Ø6	M6*1	碳钢镀白锌 Zinc plated
5KM0402	Ø4	R1/8	碳钢镀白锌 Zinc plated
5KM0410	Ø4	M10*1	碳钢镀白锌 Zinc plated
5KM0408	Ø4	M8*1	碳钢镀白锌 Zinc plated
5KM0406	Ø4	M6*1	碳钢镀白锌 Zinc plated

## 过渡接头 Ellbow Connector 45°



型号 Part number	M1	M2	L	L1	L2	L3	L4	A	B	C
5EM0410	M10*1	M8*1	23	6.5	13	7	12	7	6	7

## 90°异径弯头接头 Angle Connector 90°

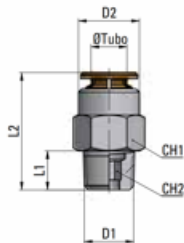


9GM10

9GM10-Z

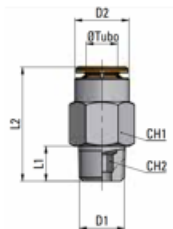
型号 Part number	M1	M2	L	L1	L2	L3	A	B	C	A1
9GM10	ZM10*1	M10*1	23	8	13	6.5	6	8	12	12
9GM10-Z	ZM10*1	M10*1	32	8	13	6.5	6	8	12	12

## MP11 直通快插 Taper Straight, Male 中压10Mpa



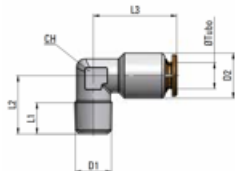
型号 Part number	管径 OD	D1	D2	L1	L2
MP110418	Ø4	R1/8	9	7.5	18.5
MP1104M6	Ø4	M6*1.0	9	8	23
MP1104M8	Ø4	M8*1.0	9	8	20
MP1104M10	Ø4	M10*1.0	9	8	20
MP110618	Ø6	R1/8	12	7.5	21.5
MP1106M6	Ø6	M6*1.0	12	8	25.5
MP1106M8	Ø6	M8*1.0	12	8	25.5
MP1106M10	Ø6	M10*1.0	12	8	22

## HP11 直通快插 Taper Straight, Male 高压25Mpa



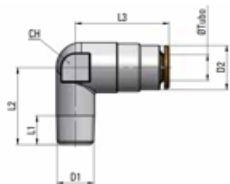
型号 Part number	管径 OD	D1	D2	L1	L2
HP110418	Ø4	R1/8	9.5	7.5	21
HP1104M6	Ø4	M6*1.0	9.5	8	25
HP1104M8	Ø4	M8*1.0	9.5	8	25
HP1104M10	Ø4	M10*1.0	9.5	8	22.5
HP110618	Ø6	R1/8	11.5	7.5	24
HP1106M6	Ø6	M6*1.0	11.5	8	28
HP1106M8	Ø6	M8*1.0	11.5	8	28
HP1106M10	Ø6	M10*1.0	11.5	8	24.5

MP14 - 直角快插 Taper Elbow Fitting, Male 10Mpa



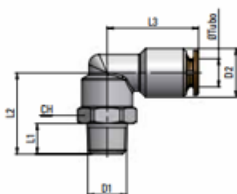
型号 Part number	管径 OD	D1	D2	L1	L2
MP140418	Ø4	R1/8	9	7.5	15.5
MP1404M6	Ø4	M6*1.0	9	8	17
MP1404M8	Ø4	M8*1.0	9	8	17
MP1404M10	Ø4	M10*1.0	9	8	18
MP140618	Ø6	R1/8	12	7.5	15.5
MP1406M6	Ø6	M6*1.0	12	8	17
MP1406M8	Ø6	M8*1.0	12	8	17
MP1406M10	Ø6	M10*1.0	12	8	18

HP14 - 直角快插 Taper Elbow Fitting, Male 25Mpa



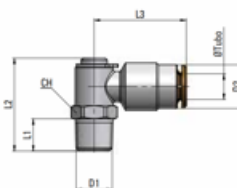
型号 Part number	管径 OD	D1	D2	L1	L2
HP140418	Ø4	R1/8	9.5	7.5	17
HP1404M6	Ø4	M6*1.0	9.5	8	17
HP1404M8	Ø4	M8*1.0	9.5	8	17
HP1404M10	Ø4	M10*1.0	9.5	8	18
HP140618	Ø6	R1/8	11.5	7.5	20
HP1406M6	Ø6	M6*1.0	11.5	8	20
HP1406M8	Ø6	M8*1.0	11.5	8	20
HP1406M10	Ø6	M10*1.0	11.5	8	21

MP15 - 直角快插 可旋转接头 Taper Elbow Fitting, Male, Rotatable 10Mpa



型号 Part number	管径 OD	D1	D2	L1	L2
MP150418	Ø4	R1/8"	9	7.5	20
MP1504M6	Ø4	M6*1.0	9	8	20.5
MP1504M8	Ø4	M8*1.0	9	8	20.5
MP1504M10	Ø4	M10*1.0	9	8	20.5
MP150618	Ø6	R1/8"	12	7.5	20
MP1506M6	Ø6	M6*1.0	12	8	21.5
MP1506M8	Ø6	M8*1.0	12	8	21.5
MP1506M10	Ø6	M10*1.0	12	8	21.5

HP18 - 直角快插 可旋转接头 Taper Elbow Fitting, Male, Rotatable 25Mpa



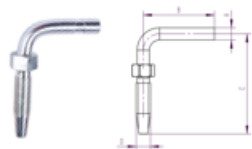
型号 Part number	管径 OD	D1	D2	L1	L2
HP180418	Ø4	R1/8"	9.5	8.5	22
HP1804M6-1	Ø4	M6*0.75	9.5	6	22
HP1804M6	Ø4	M6*1	9.5	8	22
HP1804M8	Ø4	M8*1	9.5	8	22
HP1804M10	Ø4	M10*1	9.5	8	22
HP180618	Ø6	R1/8"	11.5	8.5	24
HP180614	Ø6	R1/4"	11.5	11	24
HP1806M6	Ø6	M6*1	11.5	8	24
HP1806M8	Ø6	M8*1	11.5	8	24
HP1806M10	Ø6	M10*1	11.5	8	24

直涨芯 Hose coupling straight



型号 Part number	A	B	C	D	材质 Material
ZZ06	Ø6	60	30	M7*1	碳钢镀白锌 Zinc plated
ZZ06-1(短 Short)	Ø6	54.5	21.5	M7*1	
ZZ0610	Ø6	63	30	M10*1	
ZZ08	Ø8	63	30	M10*1	

弯涨芯 Hose coupling bent



型号 Part number	A	B	C	D	材质 Material
WZ06	Ø6	32	45	M7*1	碳钢镀白锌 Zinc plated
WZ0610	Ø6	32	45	M10*1	
WZ06-1(短 Short)	Ø6	20	45	M7*1	
WZ08	Ø8	35	50	M10*1	

135°弯涨芯 135°Hose coupling bent



型号 Part number	接管 OD	B	C	D	材质 Material
WZ13506	Ø6	30	36	M7*1	碳钢镀白锌 Zinc plated

涨套 Threaded sleeve



堵头 Outlet plug

30Mpa



5PG10



5PC10

型号 Part number	接管 OD	螺纹 Thread	材质 Material	型号 Part number	接管 OD	材质 Material	说明
WO06	Ø6	M7*1	碳钢镀锌 Zinc plated	5PG10	M10*1	碳钢镀锌镍 Nickel plated	适用DSP分配器 to DSP distributor
WO08	Ø8	M10*1		5PC10	M10*1	碳钢镀锌 Zinc plated	适用VB分配器 to VB distributor

螺母 Ferrule



卡套 Nuts



型号 Part number	螺纹 Thread	管子外径D TUBE O.D.	压力等级 MPa	型号 Part number	管子外径D TUBE O.D.	压力等级 MPa
NLL-08	M8*1	Ø4	超轻系列 Super light series LL	RLL-04	Ø4	超轻系列 Super light series LL
NLL-10	M10*1	Ø6		RLL-06	Ø6	
NL-12	M12*1.5	Ø6	轻系列 Light series L	RL-06	Ø6	轻系列 Light series L
NL-14	M14*1.5	Ø8		RL-08	Ø8	
NL-16	M16*1.5	Ø10		RL-10	Ø10	
NL-18	M18*1.5	Ø12		RL-12	Ø12	

平端堵塞 Plane-end plug



型号 Part number	L	T	H
3G0408	12	M8*1.0	8
3G0601	14	PT1/8"	10

套管堵塞 Sleeve pipe plug



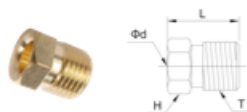
型号 Part number	L	T	H
3G04	16	M8*1.0	8
3G06	17	M10*1.0	10

套管 Sleeve pipe



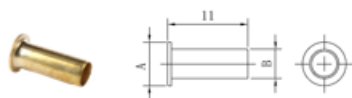
型号 Part number	OD	Ød	ØD	L
3B04	4	4.1	6	4.5
3B06	6	6.1	8	5
3B08	8	8.1	11	7
3B10	10	10.1	13.5	8

套管帽 Sleeve pipe cap



型号 Part number	OD	Ød	L	H	T
3A04	4	4.1	12	8	M8*1.0
3A06	6	6.1	12.5	10	M10*1.0
3A08	8	8.1	14	14	M14*1.5
3A10	10	10.1	15	16	M16*1.5

管内衬 Inner screw of pipe



型号 Part number	A	B
BF04	4	2
BF0425	4	2.5
BF06	6	4
BF0630	6	3



高压树脂软管 (最高压力840BAR)  
High-pressure flexible pipe



型号 Part number	管外径 Outer diameter	管内径 Inside diameter
T-HP03	Ø6	Ø3
T-HP04	Ø8.6	Ø4
T-HP06	Ø11	Ø6.3

尼龙管 (BP为黑色 WP为白色)  
Nylon tubing (BP in black; WP in white)



型号 Part number	管外径 Outer diameter	管内径 Inside diameter
T-BP06	Ø6	Ø3
T-BP04	Ø4	Ø2.5
T-WP06	Ø6	Ø4
T-WP04	Ø4	Ø2

钢管 (镀锌) Steel tubing



型号 Part number	管外径 Outer diameter	管内径 Inside diameter
T-CP04	Ø4	Ø2
T-CP06	Ø6	Ø4
T-CP08	Ø8	Ø6
T-CP10	Ø10	Ø8

弹簧护套 (镀锌) Spring coil



型号 Part number	Ød	适合管外径 Suitable pipe outer diameter
THT04	4.5	4
THT06	6.5	6
THT08	11	9.3

螺旋胶管护套 Hose plastic jacket



型号 Part number	Ød	适合管外径 Suitable pipe outer diameter
THL08	8	8.6
THL10	10	11
THL12-1	11	12

R型管夹 R Pipe clamp



型号 Part number	Ød	安装孔 Mounting hole
RC06	6	6.4mm
RC08	8	6.4mm
RC10	10	6.4mm
RC12	12	6.4mm
RC14	14	6.4mm
RC16	16	6.4mm
RC18	18	6.4mm
RC20	20	6.4mm
RC22	22	6.4mm
RC25	25	6.4mm
RC28	28	6.4mm
RC30	30	6.4mm

扎带 Cable tie



型号 Part number	宽 Width	长 Length	材质 Material
ZDCH5200	5	200	尼龙 Nylon
ZDCH5300	5	300	
ZDCH5500	5	500	



# CISO LUBRICATION SYSTEM

烟台西索润滑技术有限公司

Yantai Ciso Lubrication Technology Co.,Ltd

山东省烟台市高新区纬三路30号

Tel:+086 400-800-9400

---

烟台西索润滑技术有限公司长沙分公司

Changsha Office

湖南省长沙市开福区福元西路220号英祥苑二期1、2栋1505

Tel:0731-84481381 Fax:0731-84481381



MADE IN CHINA



[www.cisolube.com](http://www.cisolube.com)