



诚心·用心·专业·规范

SOLVE YOUR NEEDS WITH SERVICES

PROGRESSIVE LUBRICATION SYSTEM



2023
PROGRESSIVE
LUBRICATION SYSTEM

烟台西索润滑技术有限公司
YANTAI CISOLUBE CO.LTD
ADD: 山东省烟台市高新区创业路30号 WEB:WWW.CISOLUBE.COM
TEL:+86 400-800-9400

CISOLUBE CATALOG

2023

www.cisolube.com

Company Introduction



Yantai Ciso Lubrication Technology Co., Ltd. is a high-tech enterprise specializing in R&D, production and sales of centralized lubrication systems and hydraulic equipment. The centralized lubrication systems produced by our company have the characteristics of high stability, strong reliability, good sealing, and high output pressure. The products and services currently have covered petrochemical, wind power generation, construction machinery, agricultural machinery, rail transit, medicine and other industries, and it is a leading solution provider in the industry.

The company adheres to the concept of "integrity-based, quality first, and continuous innovation" to provide customers with A+ ideal solutions to meet the different needs of customers. Through years of research and development and production practice, from product design to accessories selection, product assembly, finished product testing and sales services, to ensure product quality.

目录

CONTENTS

Progressive lubrication system.....	1-4
GT pump.....	5-12
GM pump.....	13-20
GW pump.....	21-24
DSP distributor.....	25-31
VB distributor.....	32-36
VE distributor.....	37-40
VSP distributor.....	41-44
DU distributor.....	45-47
Lubrication parts.....	48-60

1. Construction and design:

The bielomatik progressive lubrication system comprises a feed pump and progressive distributors, whereby, the distributor is equipped with a circulation control. In addition there are the necessary pipelines, threaded pipe fittings and fastening components. Pressure indicator in the inlet of the respective progressive distributor, are additionally helpful for function control. The lubrication pump should be assembled on an easily accessible position of the machine, so that uncomplicated refilling of the container is possible. The progressive distributor should be assembled as close to the lubrication points as possible.

The line system must be designed such that it can take maximum pump pressure. Preferably steel pipes are laid. If mobile lubrication points are to be lubricated, high pressure hoses of appropriate dimension must be used. The length of the high pressure hoses should be kept as short as possible, as these expand under pressure and can intake appropriate lubricant quantity. Timely secure feeding of the lubricant is thus no longer guaranteed. Moreover, like for air inclusions, a quick pressure suppression, which may affect the lubricant adversely, is prevented. Only lubrication lines, i.e. lines directly leading from the distributor to the lubrication point, can be laid in polyamide pipe, if it is ensured that the permissible operating pressure of the pipe shall not be exceeded.

it is recommended to select the cross sections of the pipeline according to the length of the pipes so that only little operating pressure (less than 80 bar) is required. Slow action pumps are beneficial. Higher pressure changes the lubricants adversely. Hence, possibly low operating pressure must be selected in the pneumatic pumps. The pumping pressure can also be reduced through a throttle in the air line.

2. Mode of action:

The lubricant is pumped into the main line by actuating the pump and fed to the connected progressive distributor. The lubricant is distributed over the number of outlets of the distributor and then delivered to the lubrication points or fed to another downstream progressive distributor, divided there and dispensed to the connected lubrication points. Dosing is done as per the selection of the dosing elements with different flow rates. A circulation control detects every circulation of the system. If a progressive distributor cannot deliver its lubricant or if a piston is blocked e.g. due to contamination, the system reports fault i.e. the circulation control has not reported within the monitoring time.

Particularly for large systems, which are operated with grease, it is essential to start the system step-wise from the lubrication point to the pump i.e. lubrication points, lines and progressive distributor must be pre-filled individually. The pressure requirement of individual segments of the system can thus be checked directly. Pay attention that the lubricant is refilled on time, for preventing air bubbles in the system. Else the complete system must be re-ventilated.

3. Start-up:

Before start-up, the pump must be filled with clean grease without any air bubbles. It is important that the pump is filled using a filling or barrel pump. The barrel pumps must be equipped with follow-up piston. Clean and air-bubble-free filling can thus be ensured. A cartridge pump with pre-filled cartridges may also be used for small consumption quantities.

Then the pump and subsequently the progressive distributor must be ventilated. Pumping follows till bubble-free lubricant appears first on the pump and then on all the outlets of the main distributor and subsequently on the downstream progressive distributors.

Particularly for large systems, which are operated with grease, it is essential to start the system step-wise from the lubrication point to the pump i.e. lubrication points, lines and progressive distributor must be pre-filled individually. The pressure requirement of individual segments of the system can thus be checked directly. Pay attention that the lubricant is refilled on time, for preventing air bubbles in the system. Else the complete system must be re-ventilated.

4. Assembly:

The fastening surface of the progressive distributor must be plane, so that the housing is not braced while screwing. If required, washers may be required for alignment. Outlet bore of the progressive distributor must be closed. Cleanliness must be observed. Pumps, progressive distributor and particularly the pipelines and fittings must be cleaned thoroughly prior to the assembly.

5. Lubricant:

Generally, grease can be dispensed based on mineral oil that shows a walk penetration more than 265 (1/10 mm), NLGI-Klasse 000 - 2 in the bielomatik progressive lubrication system. Greases must not be mixed. In exceptional case.

6. Maintenance:

Impermeability of the system and the container fill level must be checked at regular intervals. A fault occurs if the circulation control has not responded within the monitoring time.

Reasons:

- a) Container or barrel empty.
- b) Pump not ventilated or defective.
- c) System blocks at high pump pressure.
 - Lubrication line closed
 - Lubrication point or its channel closed
 - Outlet on the progressive distributor closed

unauthorised

- Piston in the progressive distributor fits tightly (bracing, contamination)
- Channel within the progressive distributor closed due to contamination.
- All pistons of a progressive distributor are at centre position.

In case the system is blocked, fault may occur at any location in the system. There is overpressure at the blocked location, which is signalled to the relevant pressure indicator by a protruding pin. Source of fault can thus be localised on a secondary distributor.

Progressive lubrication system

For oil, fluid grease and grease lubrication system

Characteristic

- Compact, flexible kit
- Monitored function
- Channels flow through completely
- Wide range of use
- Integrated return valve inside

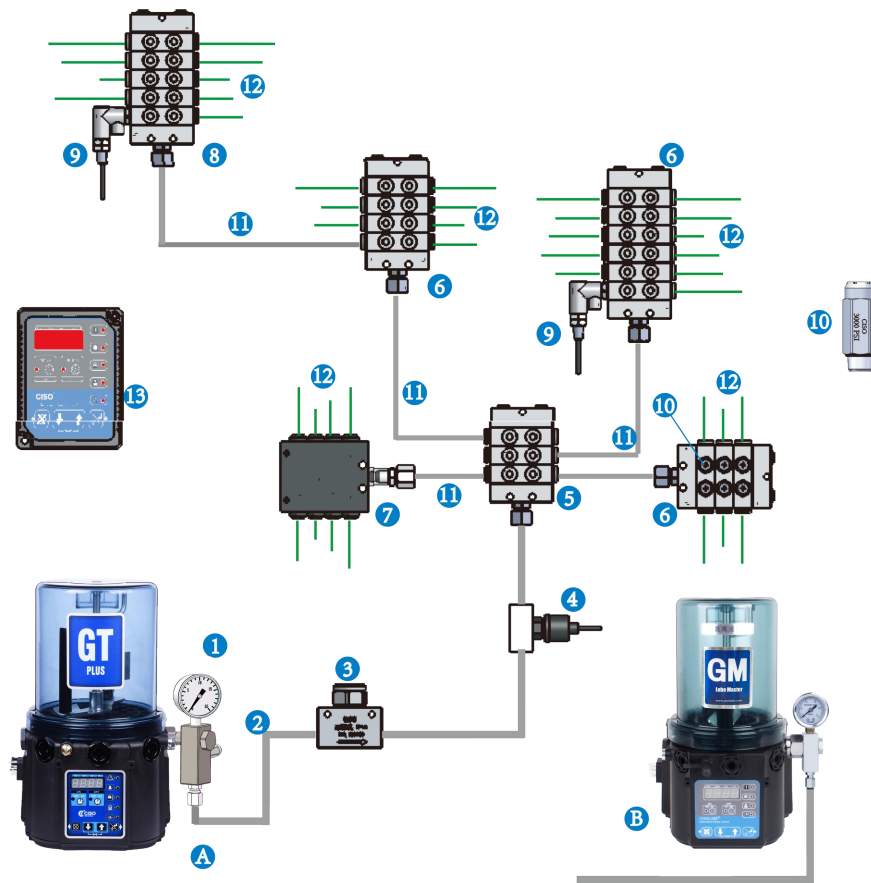
The system components

- Manual, pneumatic and electrical pumps
- Main lines
- Progressive distributor
- Line to the lubrication point
- Screwed fittings
- Control and monitoring devices

The function

The lubricant is pumped through the main lines to the progressive distributor with the pump. The lubricant is delivered "progressively" to the friction point. The circulation of a progressive distributor is monitored optically or electrically.

Struture diagram :



- A —GT lubrication pump
- B —GM lubrication pump
- 1 —Outlet relief valve elements
- 2 —Main line
- 3 —Filter
- 4 —pressure switch
- 5 —progressive distributor (1generation)
- 6 —progressive distributor (2generation)
- 7 —progressive distributor (2generation)
- 8 —progressive distributor (3generation)
- 9 —Function control
- 10 —Fault Monitoring
- 11 —Pipes and hoses
- 12 —Line to the lubrication point
- 13 —Controller

LUS

GT PUMP

- Pump oil and grease
- Multiple grease filling ways
- Powerful centralized control system
- Multiple voltages are available

Characteristics

- Pump oil and grease
- RESERVOIRS:
2/4/6/8/12L
- VOLTAGES:
12VDC
24VDC
90-240VAC
- Multiple grease filling ways
- Powerful centralized control system
- CE Certification
- Design patent
- IP65

THE SMALL PUMP PACKAGE WITH BIG FEATURES

DESIGN AND ADVANCED SOLUTIONS

GT pump is a piston pump

predisposed to operate with a maximum of five pumping units, its design is particularly suitable for progressive systems or single-line systems.

Five independent line lubrication at the same time.

Output can be combined and increase displacement

With special materials, to achieve excellent anti-shock ability

Special design of pump make it easy to observe the oil level and prevent UV radiation, prevent oil deterioration. With low liquid level alarm, flashing buzzer. Also can choose the type of output.

Standard: can be managed by an external PLC. Since it does not come with an internal control unit, this is the most economic solution for lubricating your systems.

Automatic: With integrated control system, which can be set up local running time. Equipped with local operation and alarm light, alarm with buzzer, provide low level and pulse alarm, which can be combined with the monitor of distributor units into a perfect operating system.



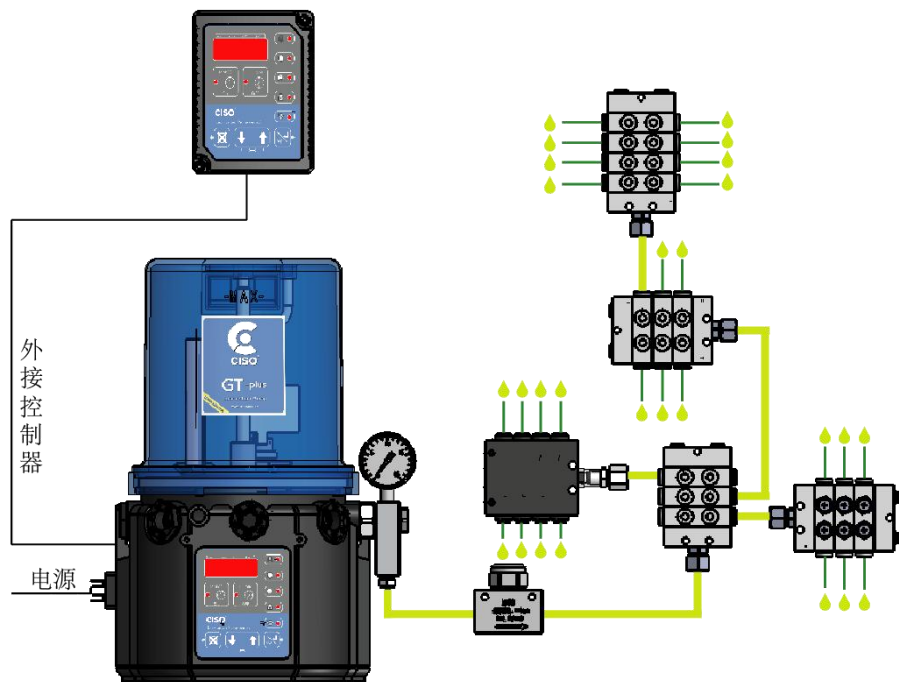
Application

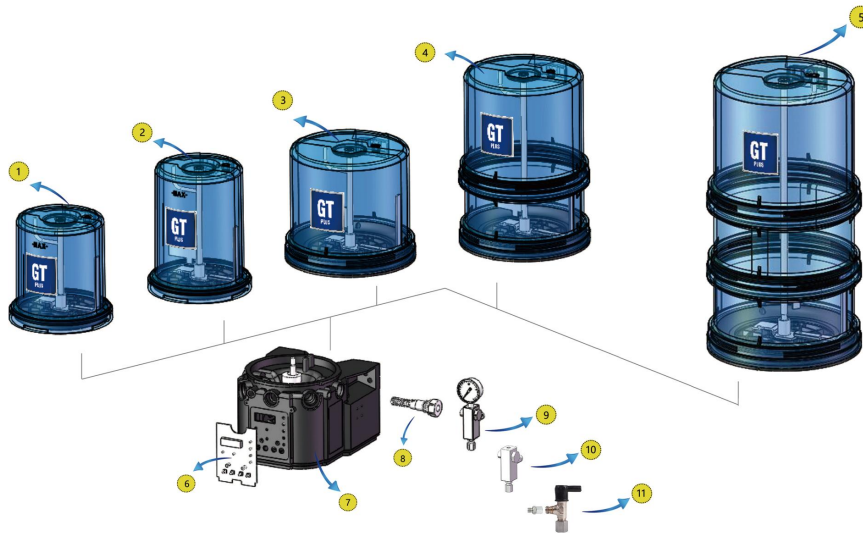
- Construction machinery
- Agricultural equipment
- Wind power equipment
- Press machine
- Mining equipment
- Ship and Marine engineering
- Food and drinking
- Textile

Technical information:

TECHNICAL CHARACTERISTICS	
Unit of pump outlets	Max 5 outlets
Outlet thread	G1/4
Rated flow	2ml、3ml、4ml/min
Operating pressure	35MPa Max
Reservoir Capacity	2、4、6、8、12L
Lubricants	OIL、000、00、0、1、2
Operating temperatures	-40-90°C

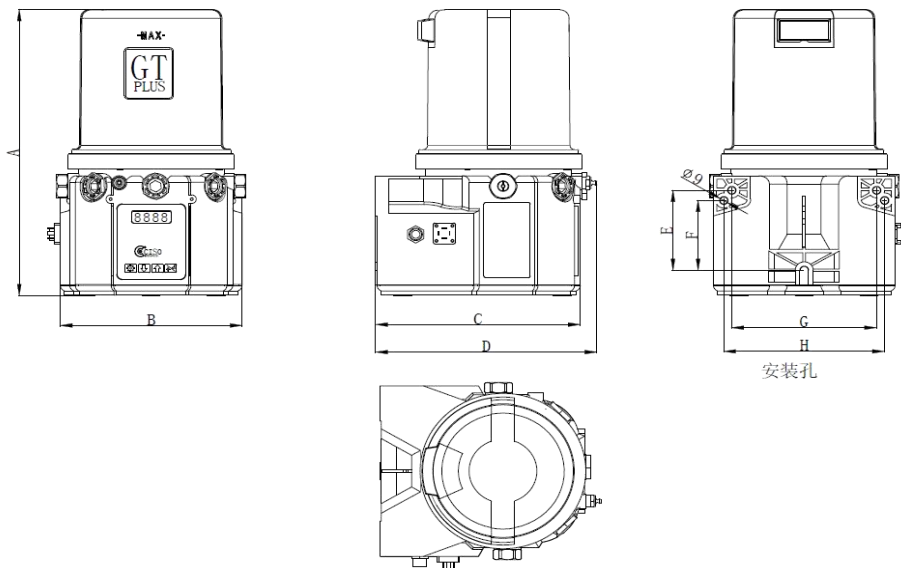
System production case:





NO.	PART	NO.	PART
1	2L Pump Tank	7	Pump base
2	4L Pump Tank	8	PLUS Pumping Element
3	6L Pump Tank	9	Pump outlet assembly (With pressure gauge)
4	8L Pump Tank	10	Pump outlet assembly (Without pressure gauge)
5	12L Pump Tank	11	With Relief valve
6	Control panel		

2L & 4L Dimensions(mm):

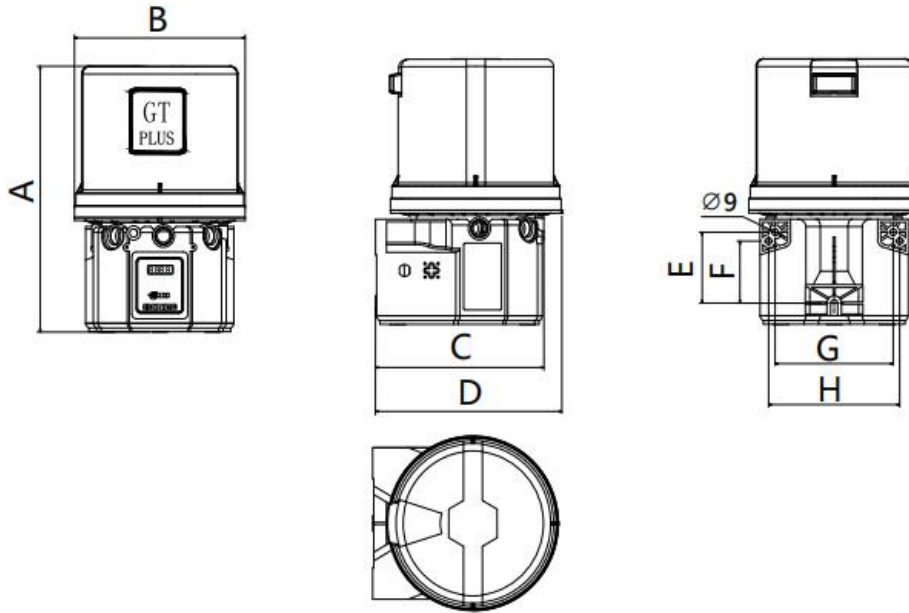


Reservoirs	A	B	C	D	E	F	G	H
2L	338	204	229.5	248	95.5	83.5	162.5	180
4L	378	204	229.5	248	95.5	83.5	162.5	180



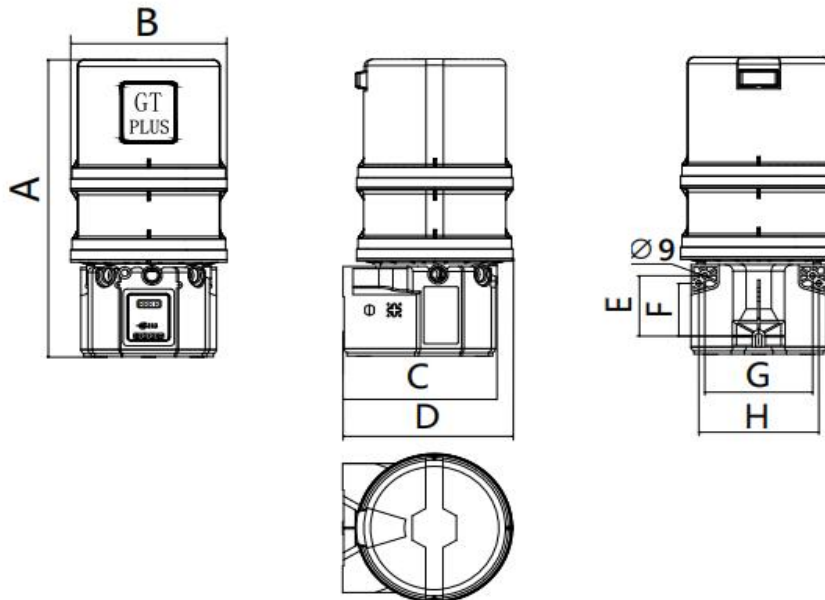
GT pump

6L Dimensions (mm):



Reservoirs	A	B	C	D	E	F	G	H
6L	358	235	231.5	256.5	95.5	83.5	162.5	180

8L & 12L Dimensions (mm):

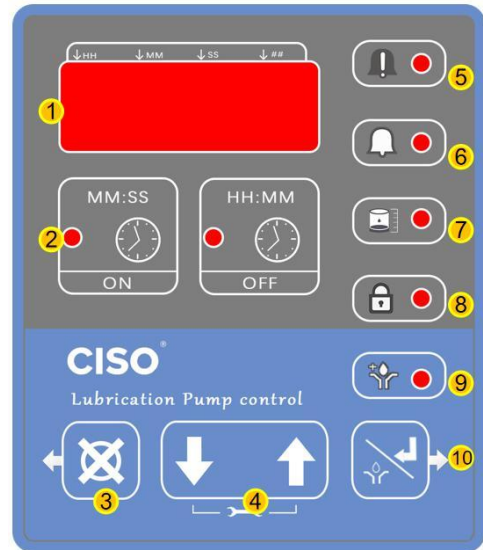


Reservoirs	A	B	C	D	E	F	G	H
8L	471	235	231.5	256.5	95.5	83.5	162.5	180.5
12L	585	235	231.5	256.5	95.5	83.5	162.5	180.5




Control System:

- Clear panel
- Programs that can be designed
- It can be password protected
- Sound alarm
- Low level alarm
- Accept proximity switch
- Excellent shock resistance
- Pre lubrication button
- IP65



- 1 Easy to read LED display
- 2 Legible on/off instructions
- 3 Reset function
- 4 Easy to use navigation keys
- 5 Alarm signal of lube system shutdown
- 6 Warning signal prior to lube system shutdown
- 7 Low level indication
- 8 Access to the control device is password protected
- 9 Pre-lube capability
- 10 Manually run/Confirm

Press and hold the "↑+↓" keys at the same time to enter the setting mode, Press  to enter page browsing.

Set run time

The LED adjacent to the ON part of the clock lights up, indicating that you are setting the boot time parameters, you can press "↑or↓" to adjust the time.

Set shutdown time

The LED adjacent to the OFF section clock lights up to indicate that you are setting the shutdown time parameter. Press "↑ or ↓" to adjust the time.

Press  to start running



GT pump

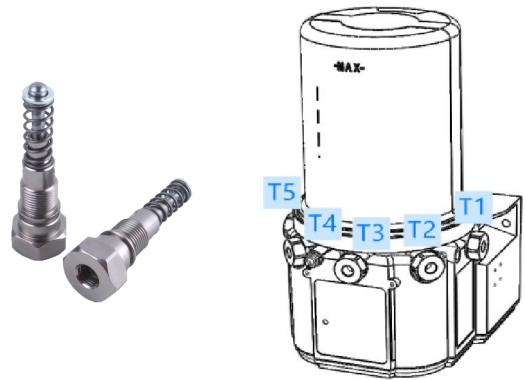
Ordering information:

1、 Order the GT-PLUS pump for the upper grease cover. Please add -C after the standard part number.
For example: 20D220-C

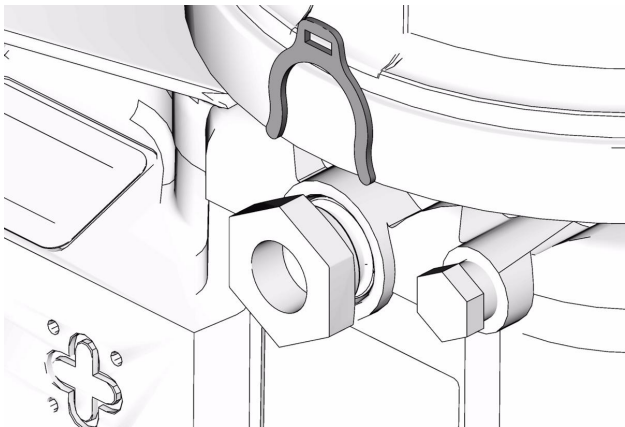


2、 Every factory GT pump is equipped with a pump element at the T1 position. Customers can purchase pump element and install them in positions T2 through T5!

Only suitable for K6, if you choose other pump head, please consult customer service.



3、 Displacement can be adjusted by shims. Pump displacement settings can use 0, 1 or 2 spacers. More than 2 spacers are prohibited

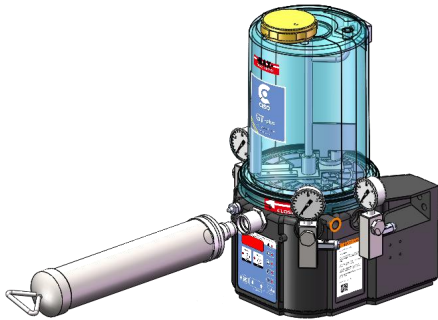


No. Spacers	Output Volume/Minute	
	cubic inches	cubic cm
2	0.12	2
1	0.18	3
0	0.25	4

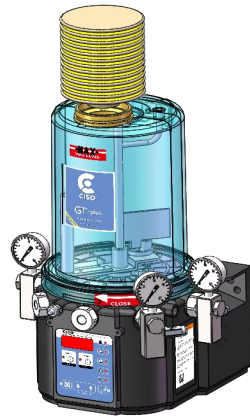


Fill grease type:

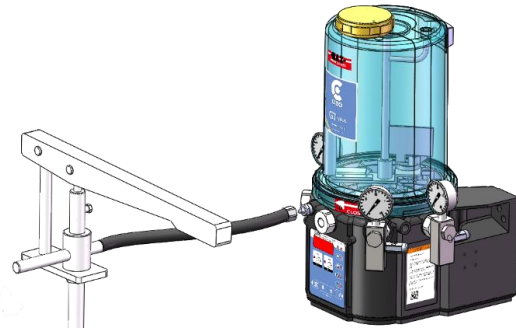
1 with grease gun kits



2 with cartridge



3 with hand pump



Ordering information:

Product name	Part number	Reservoirs	Voltages	Type
GT pump	20D221	2L	12V	with timer
	20D241	2L	24V	
	20D421	4L	12V	
	20D441	4L	24V	
	20D226	2L	12V	Without timer
	20D246	2L	24V	
	20D426	4L	12V	
	20D446	4L	24V	



Ordering information:



20-

<p>Type D= stirrer E= with follower plate</p>	
<p>Reservoir 2=2L 4=4L 6=6L 8=8L 12=12L</p>	
<p>Voltages 2=12VDC 4=24VDC 6=90-240VAC</p>	
<p>Timer 1= with timer 6= without timer</p>	
<p>Low Level L= with level M= without level</p>	
<p>Lubricant G= Grease O= Oil</p>	
<p>Fill Type Blank = Grease Nipples F= Quick connection C= Top cap</p>	





GM

Lube Master

www.cisolube.com

GM PUMP

- More compact size
- Pump oil and grease
- Multiple grease filling ways
- Powerful centralized control system
- Multiple voltages are available

Characteristics

- Pump oil and grease
- RESERVOIRS
1.5/2/4L
- VOLTAGES:
12VDC
24VDC
90-240VAC
- Multiple grease
filling ways
- Powerful centralized
control system
- CE Certification
- Design patent
- IP65

HIGH PERFORMANCE IN A COMPACT PUMP

GM is a piston pump, predisposed to operate with a maximum of Five pumping units, its design is particularly suitable for progressive systems or singleline systems.

Five independent line lubrication at the same time.

Output can be combined and increase displacement

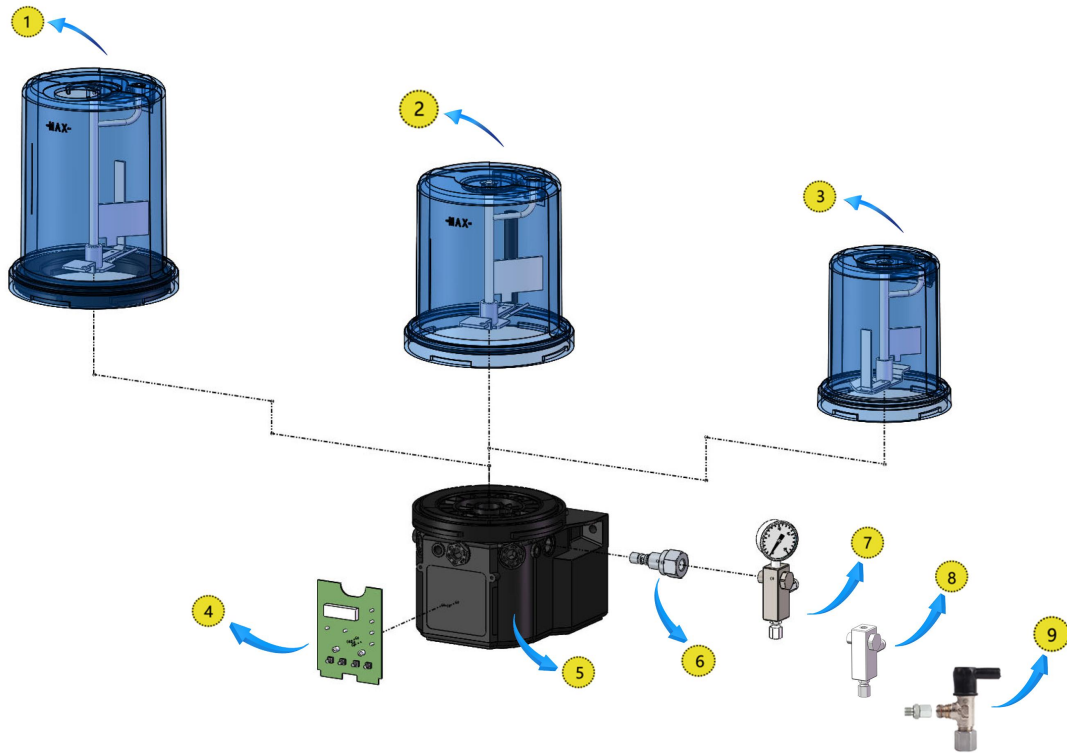
With special materials, to achieve excellent anti-shock ability

Special design of pump make it easy to observe the oil level and prevent UV radiation, prevent oil deterioration. With low liquid level alarm, flashing buzzer. Also can choose the type of output.

Standard: can be managed by an external PLC. Since it does not come with an internal control unit, this is the most economic solution for lubricating your systems.

Automatic: With integrated control system, which can be set up local running time. Equipped with local operation and alarm light, alarm with buzzer, provide low level and pulse alarm, which can be combined with the monitor of distributor units into a perfect operating system.



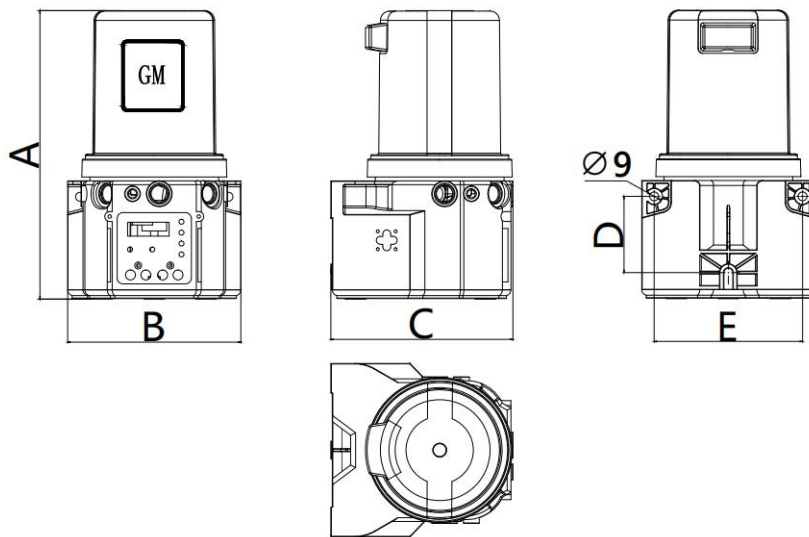


NO.	PART	NO.	PART
1	4L Pump Tank	6	GM Pumping Element
2	2L Pump Tank	7	Pump outlet assembly (With pressure gauge)
3	1.5L Pump Tank	8	Pump outlet assembly (Without pressure gauge)
4	Control panel	12	With Relief valve
5	Pump base		



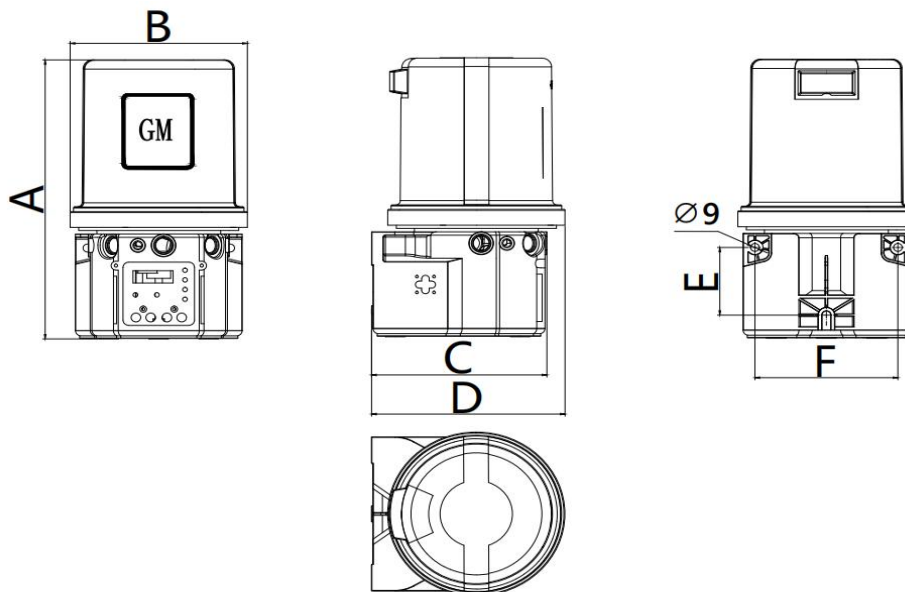
GM pump

1.5L Dimensions:



Reservoirs	A	B	C	D	E
1.5L	292	175	184	77	150

2L&4L Dimensions:



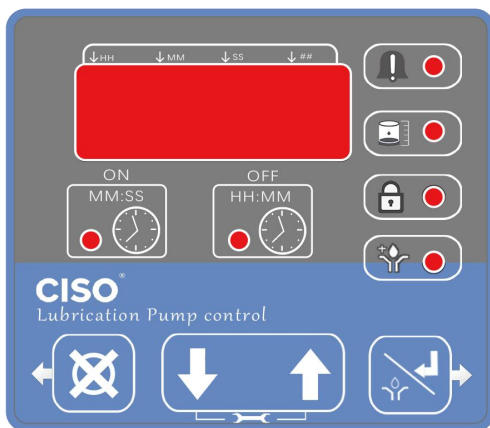
Reservoirs	A	B	C	D	E	F
2L	314	186	184	203	77	150
4L	354	186	184	203	77	150



Technical information:

TECHNICAL CHARACTERISTICS	
Unit of pump outlets	Max 5 outlets
Outlet thread	G1/4
Operating pressure	25MPa Max
Reservoir Capacity	1.5, 2, 4L
Lubricants	OIL, 000, 00, 0, 1, 2
Operating temperatures	-40-90°C

Control System:



- Clear panel
- Programs that can be designed
- It can be password protected
- Sound alarm
- Low level alarm
- Accept proximity switch
- Excellent shock resistance



Ordering information:

Stir Type				
Type	Lubricants	Voltages	Reservoirs	Part number
Standard	Grease	12VDC	1.5	22D126G
			2	22D226G
			4	22D426G
		24VDC	1.5	22D146G
			2	22D246G
			4	22D446G
	Oil	12VDC	1.5	22D126O
			2	22D226O
			4	22D426O
		24VDC	1.5	22D146O
			2	22D246O
			4	22D446O

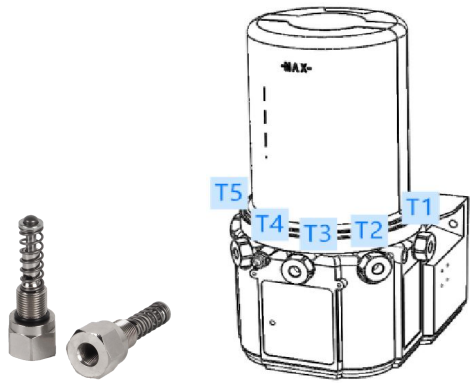


Ordering information:

Stir Type				
Type	Lubricants	Voltages	Reservoirs	Part number
Automatic	Grease	12VDC	1.5	22D121G
			2	22D221G
			4	22D421G
		24VDC	1.5	22D141G
			2	22D241G
			4	22D441G
	Oil	12VDC	1.5	22D121O
			2	22D221O
			4	22D421O
		24VDC	1.5	22D141O
			2	22D241O
			4	22D441O

Every factory GM pump is equipped with a pump element at the T1 position. Customers can purchase pump element and install them in positions T2 through T5!

Only suitable for P6, if you choose other pump head, please consult customer service.



Ordering information:



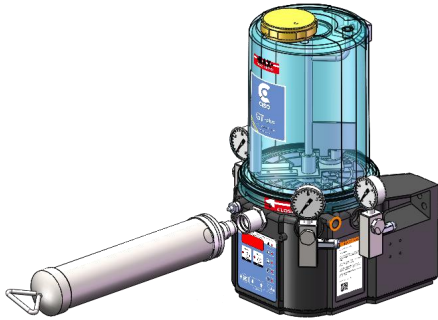
22-

<p style="text-align: center;">Type</p> <p>D = Stir E = With follower plate</p>	
<p style="text-align: center;">Reservoir</p> <p>1 = 1.5L 2 = 2L 4 = 4L</p>	
<p style="text-align: center;">Voltages</p> <p>2 = 12VDC 4 = 24VDC 6 = 90-240VAC</p>	
<p style="text-align: center;">Timer</p> <p>1 = with timer 6 = without timer</p>	
<p style="text-align: center;">Low Level</p> <p>L= with level M= without level</p>	
<p style="text-align: center;">Lubricant</p> <p>G = Grease O = Oil</p>	
<p style="text-align: center;">Fill Type</p> <p>Blank = Grease Nipples F= Quick connection C= Top cap</p>	

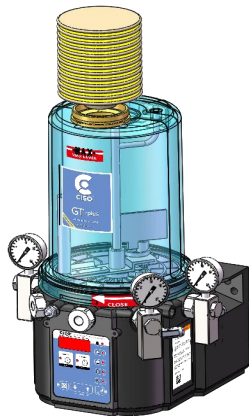


Fill grease type:

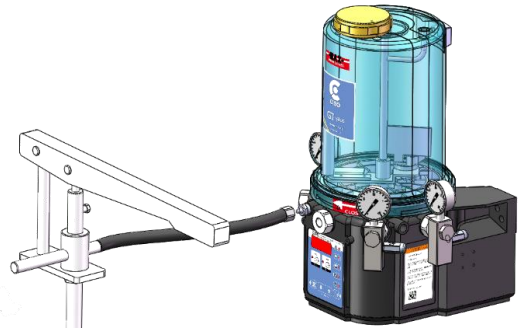
1 with grease gun kits



2 with cartridge



3 with hand pump





GW PUMP

- WITH TOP COVER
- Pump oil and grease
- Multiple grease filling ways
- Powerful centralized control system
- Multiple voltages are available

With top cover, more convenient and fast

DESIGN AND ADVANCED SOLUTIONS

GW pump is a piston pump

predisposed to operate with a maximum of five pumping units, its design is particularly suitable for progressive systems or single-line systems.

Five independent line lubrication at the same time. Output can be combined and increase displacement. With special materials, to achieve excellent anti-shock ability.

Special design of pump make it easy to observe the oil level and prevent UV radiation, prevent oil deterioration. With low liquid level alarm, flashing buzzer. Also can choose the type of output.

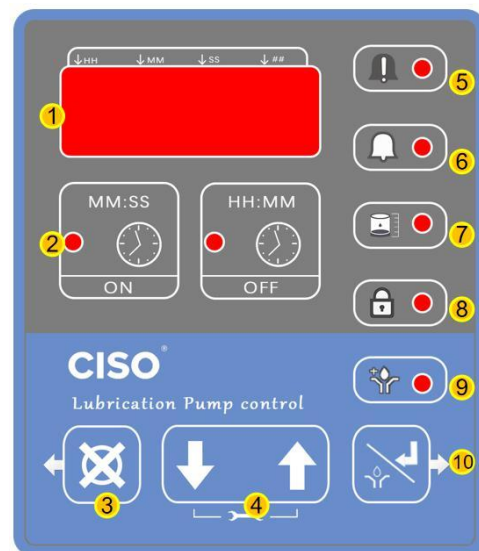
Standard: can be managed by an external PLC. Since it does not come with an internal control unit, this is the most economic solution for lubricating your systems.

Automatic: With integrated control system, which can be set up local running time. Equipped with local operation and alarm light, alarm with buzzer, provide low level and pulse alarm, which can be combined with the monitor of distributor units into a perfect operating system.



Characteristics

- With top cover
- Reservoir: 2L, 6L, 8L, 12L
- Voltages: 12VDC, 24VDC, 220V, 380V
- Pump oil and grease
- Multiple grease filling ways
- Powerful centralized control system
- CE Certification
- Design patent
- IP65



- 1 Easy to read LED display
- 2 Legible on/off instructions
- 3 Reset function
- 4 Easy to use navigation keys
- 5 Alarm signal of lube system shutdown
- 6 Warning signal prior to lube system shutdown
- 7 Low level indication
- 8 Access to the control device is password protected
- 9 Pre-lube capability
- 10 Manually run/Confirm

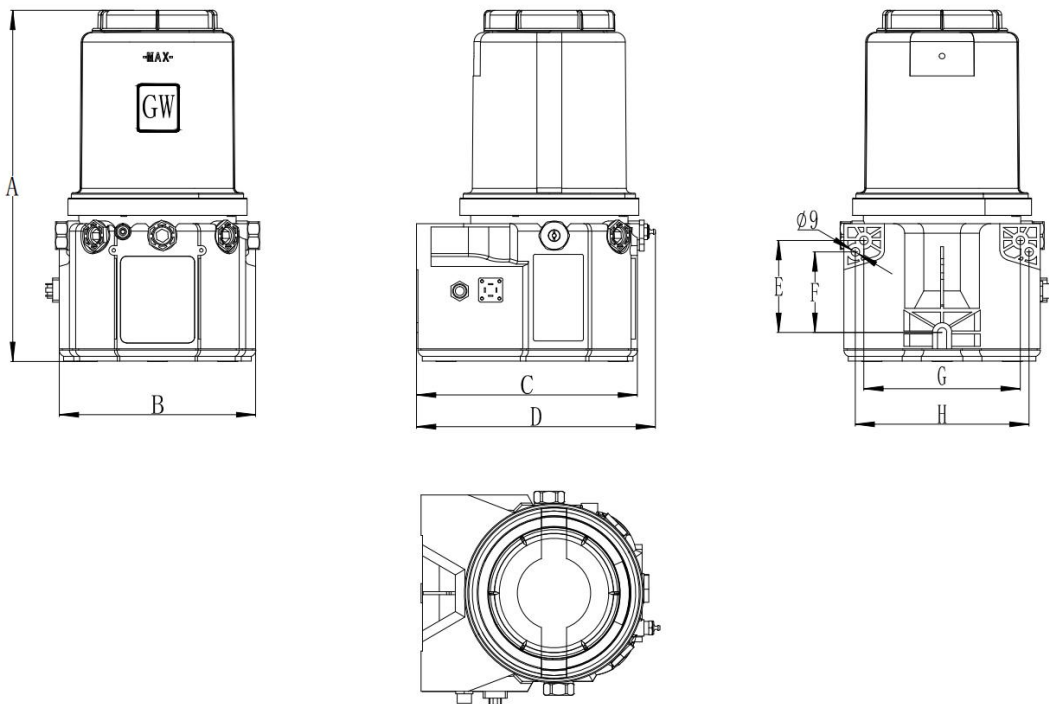


GW pump

Technical information:

TECHNICAL CHARACTERISTICS	
Unit of pump outlets	Max 5 outlets
Outlet thread	G1/4
Rated flow	2ml, 3ml, 4ml/min
Operating pressure	35MPa Max
Reservoir Capacity	2, 6, 8, 12L
Lubricants	OIL, 000, 00, 0, 1, 2
Operating temperatures	-40-90°C

2L Dimensions:

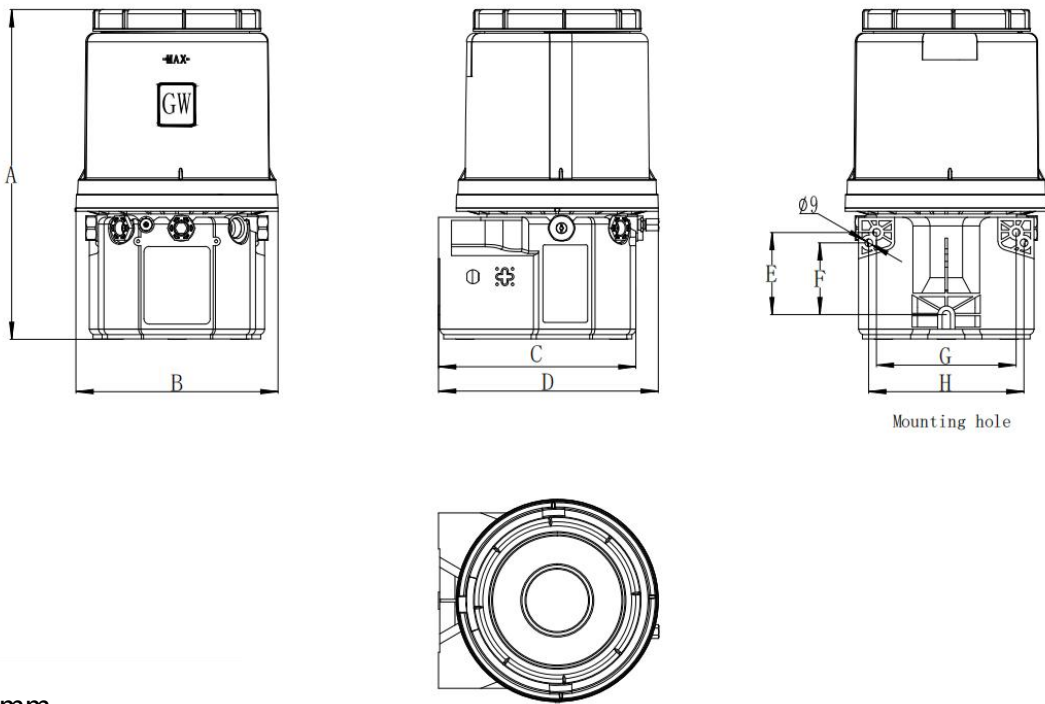


Unit: mm

Reservoir	A	B	C	D	E	F	G	H
2L	365	204	229.5	248	95.5	83.5	162.5	180.5

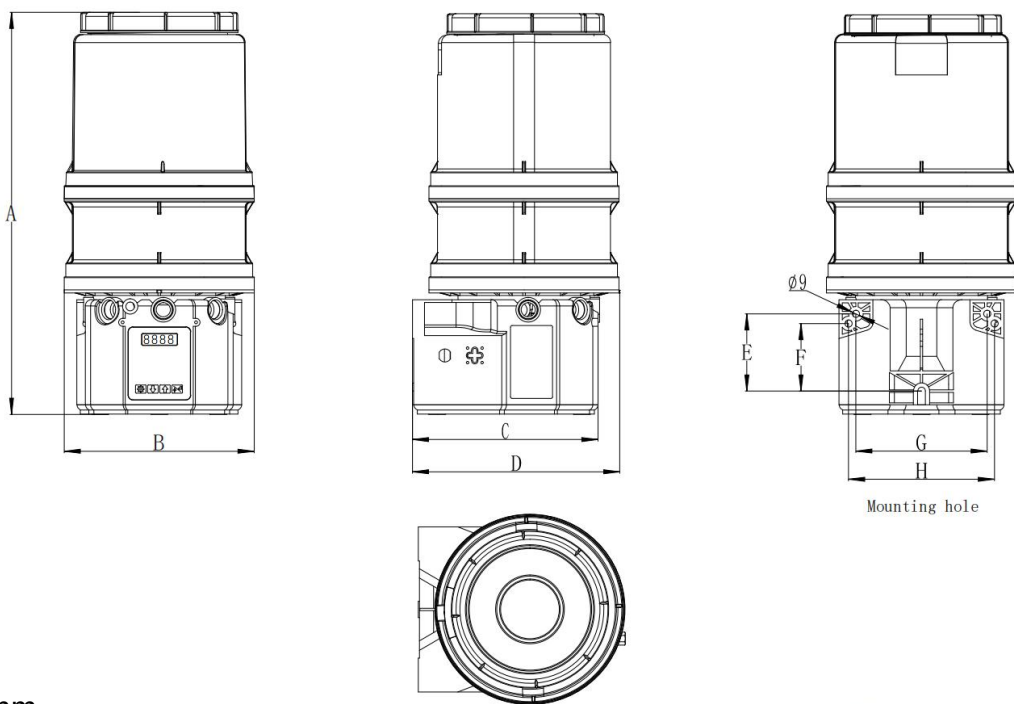


6L&8L Dimensions:



Unit: mm

Reservoir	A	B	C	D	E	F	G	H
6L	385	235	229.5	255.5	95.5	83.5	162.5	180.5



Unit: mm

Reservoir	A	B	C	D	E	F	G	H
8L	498	235	229.5	255.5	95.5	83.5	162.5	180.5

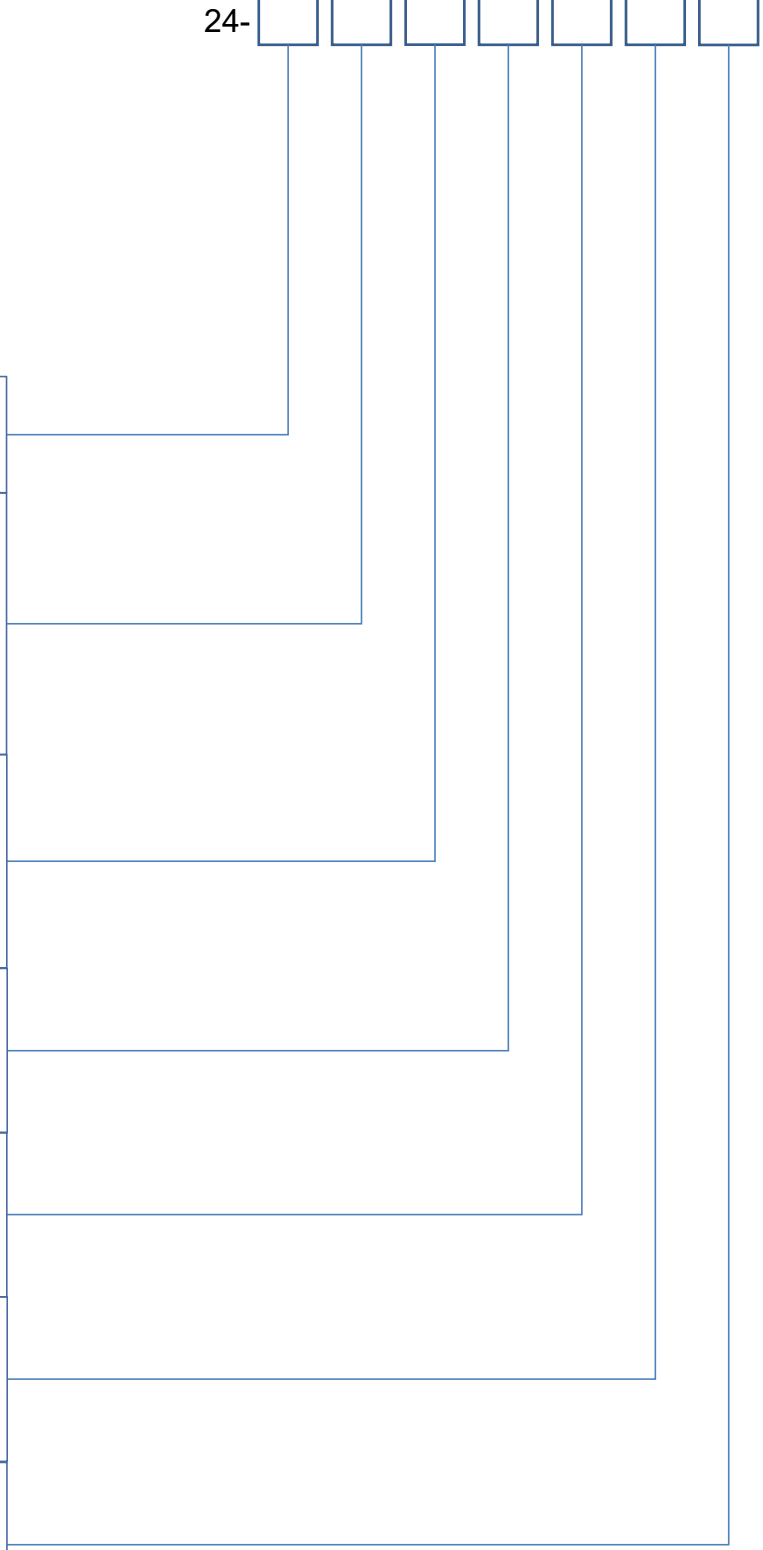


Ordering information:



24-

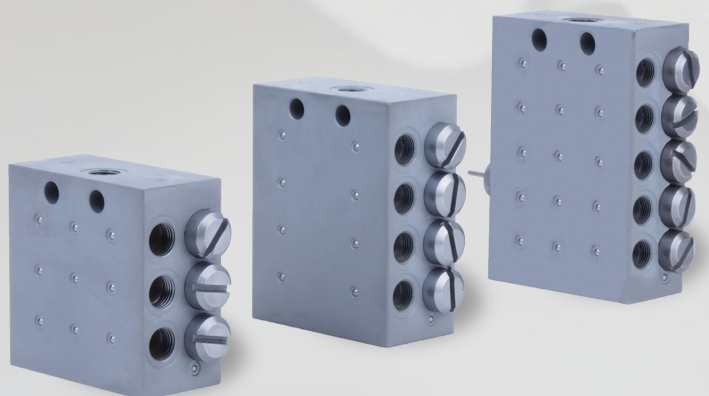
<p>Type D = Stir</p>
<p>Reservoir 2=2L 6=6L 8=8L 12=12L</p>
<p>Voltages 2=12VDC 4=24VDC 6=90-240VAC</p>
<p>Timer 1 = with timer 6 = without timer</p>
<p>Low Level L= with level M= without level</p>
<p>Lubricant G= Grease O= Oil</p>
<p>Fill Type Blank = Grease Nipples F= Quick connection</p>



DSP VALVE

For the progressive delivery of mineral oil and grease for lubrication.
For Professional Use Only.

Maximum Operating Pressure - 5075 psi
(350 bar, 35 MPa)



Characteristics

- Pump oil and grease
- Min. Pressure: 20 Bar, 300 psi
- Max. Pressure: 350 Bar, 5075 psi
- Operating Temperature: -40 ~ +200 °C
- Lubricant viscosity: Oil- NLGI 2
- Material: nickel-plated steel
- Proximity Type: PNP or NPN 10-30V DC - 200 mA

Integral Leakless High Pressure Distributor Valve



The DSP is a single block progressive divider valve that is ideal for applications where space is limited.

It is available in 6,8,10,12,14,16,18,20 and 22 outlet versions, each with an output of 0.2 cm³ inch per cycle.

The single output of the dosing device may be combined with the one located adjacent by eliminating the special fitting and applying a plug. An outlet can also be merged with the sequential outlet on the block by removing the special outlet fitting and installing a plug.

Visual or electronic monitoring can be achieved simply by removing a plug and installing a visual or electronic add-on device as shown below.

The spools in a progressive metering valve operate sequentially partitioning equally across the outlets, the grease being pumped into the metering block inlet.

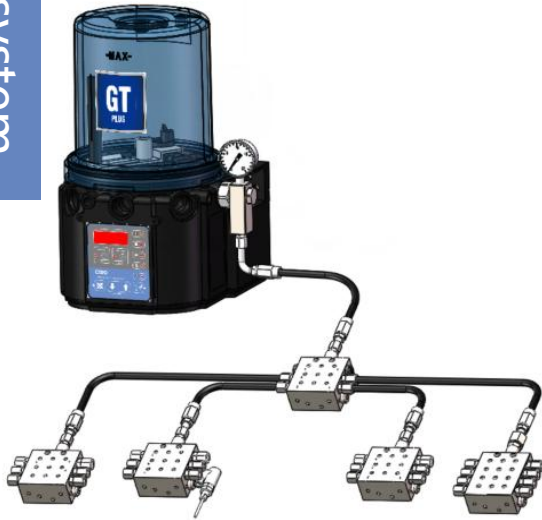
In the event of a blocked lubrication point all the spools will stop, thereby allowing the user to monitor the entire system with a single monitoring device.

The grease pumped inside of the block is distributed by the piston dispensers of the progressive dosing device equally among the different outputs. In case a single output becomes blocked, the pistons stop their activity allowing for the control of the entire system by means of a single device for this purpose.



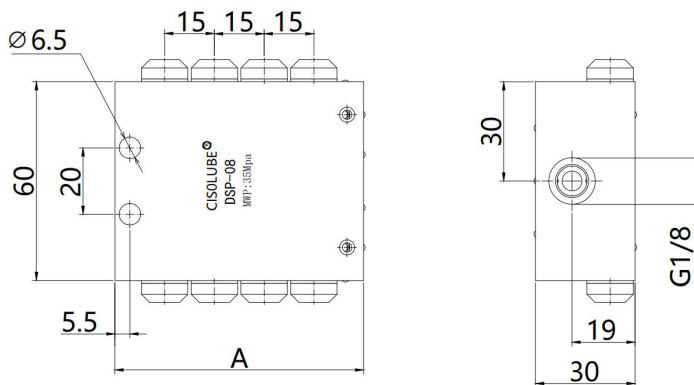
Features and general description

Technical data



Operating pressure	From 20 to 350 Bar
Lubricants	Oil 46 cSt to NLGI-2#
Operating temperature	-40 °C to 200 °C
Discharge (for outlet)	0.2ml/cyc
Inlet port	G1/8
Outlet port	M10x1
Outlets	From 6 to 22
Piston cycles	Max 200 cyc/min

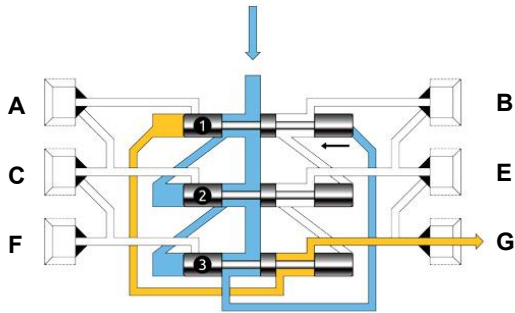
Dimensions :



Outlets	A/mm
6	60
8	75
10	90
12	105
14	120
16	135
18	150
20	165

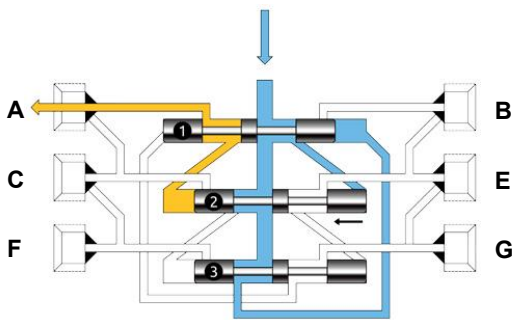


Features and general description



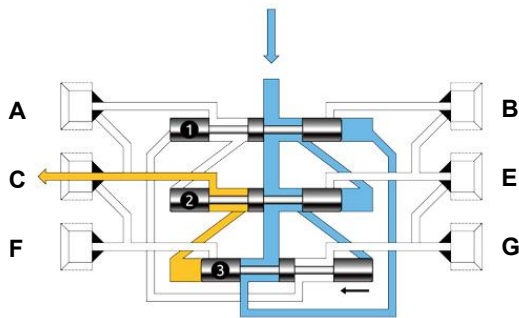
1

Lubricant low pressure (blue) moves piston 1 to the left allowing lubricant discharge (yellow) from G.



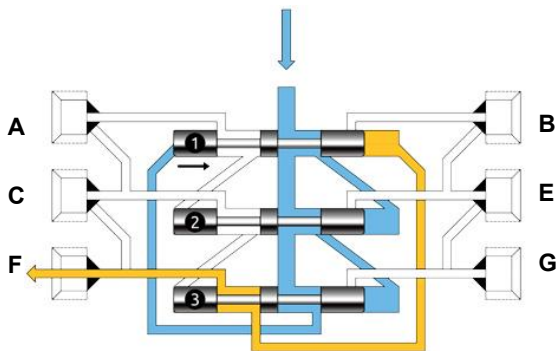
2

When piston 1 reaches its limit, lubricant low pressure (blue) operates on piston 2. Lubricant volume (yellow) discharge from A.



3

When piston 2 reaches its limit, lubricant low pressure (blue) operates on piston 3. Lubricant volume (yellow) discharge from C.

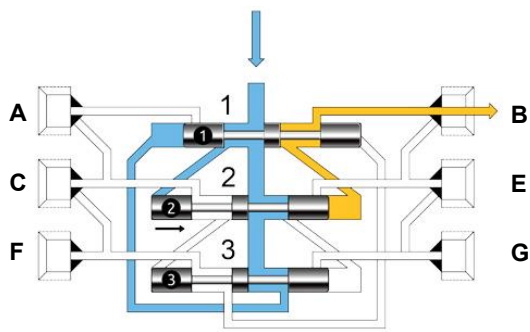


4

When piston 3 reaches its limit, lubricant low pressure (blue) operates on piston 1. Lubricant volume (yellow) discharge from F.

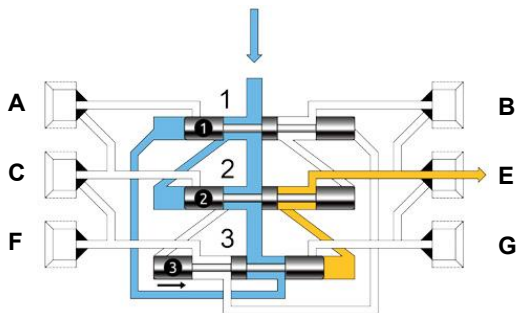


Features and general description



5

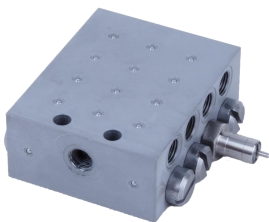
When piston 1 reaches its limit, lubricant low pressure (blue) operates on piston 2. Lubricant volume (yellow) discharge from B.



6

When piston 2 reaches its limit, lubricant low pressure (blue) operates on piston 3. Lubricant volume (yellow) discharge from E. The system is ready for a new cycle.

Visual pin



The visual pin shows the piston movement, monitoring the proper operation of the entire system.


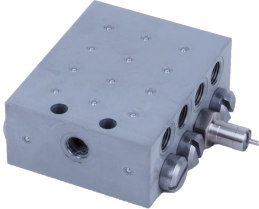

Inductive control



Voltage	6-30 V DC
Outlet current	Max 200 mA
Operating temperature	- 30 °C to +70 °C
Discharge (for outlet)	0.2ml/cycle
Protection	IP 67
Sensor housing	Stainless steel
Sensor block	Pet-G
Connection	M8x1



Ordering Number Without inlet and outlet fittings

Standard	Outlets	Standard	
	6	31N03	
	8	31N04	
	10	31N05	
	12	31N06	
	14	31N07	
	16	31N08	
	18	31N09	
	20	31N10	
	With visual pin	Outlets	NO
		6	33V03
8		33V04	
10		33V05	
12		33V06	
14		33V07	
16		33V08	
18		33V09	
20		33V10	
With inductive sensor		Outlets	NO
		6	33M03
	8	33M04	
	10	33M05	
	12	33M06	
	14	33M07	
	16	33M08	
	18	33M09	
	20	33M10	



Ultra sensor



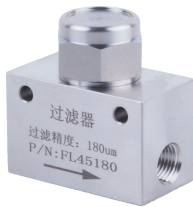
DESCRIPTION	PART NUMBER
M12 4Core	124581

BANJO with grease nipple inlet assembly



PN	Thread M	Thread F
31M10	M10x1	M10x1
31M18	G1/8	M10x1

Inset filter



PN	Rate	Thread	Material
FL45180	180μ	R1/4 inside	SS
FL45125	125μ	R1/4 inside	SS
AL45180	180μ	R1/4 inside	AL
AL45125	125μ	R1/4 inside	AL

Inset filter 70μ



PN	Thread
31F10	M10x1



Ordering information:



DSP-

<p>Blank = Zn-Ni plated A= Plating black</p>
<p>Outlet Number 06=6 08=8 10=10 And so on</p>
<p>Inlet Connector A= Without inlet and outlet fittings 06=Ø6mm 08=Ø8mm</p>
<p>Inlet Connector shape D= Straight fitting assembly H= Angle fitting assembly</p>
<p>Type Blank= without pin Visual Pin Cxx= Which outlet to install Inductive sensor Exx= Which outlet to install</p>
<p>Plug XD=3-22</p>
<p>Outlet Connector S6= Ø6mm Fitting with check valve K6= Ø6mm Quick Fitting M6=Ø6mm Nut and fellule</p>



VB

VALVE

For the progressive delivery of mineral oil and grease for lubrication.

For Professional Use Only.

Maximum Operating Pressure - 3600 psi
(250 bar, 25 MPa)



VB distributor

VB PROGRESSIVE DISTRIBUTOR

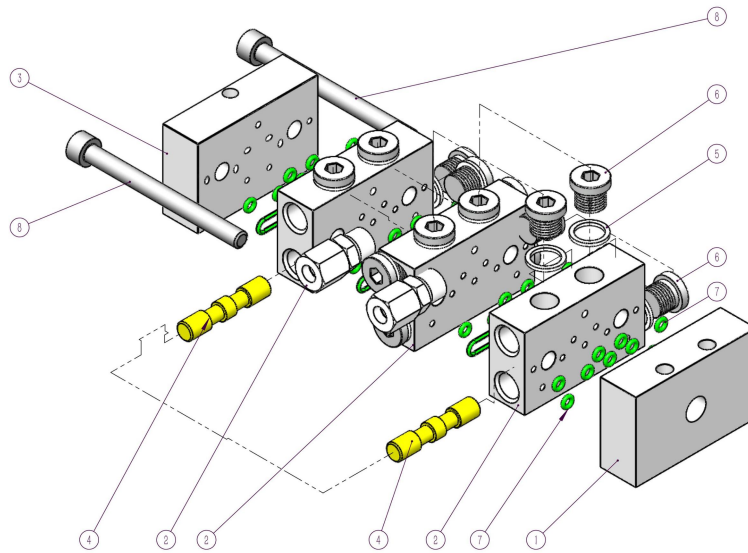
A typical VB distributor valve consists of a "first piece", a "tail piece" and 3 to 10 working pieces. Can provide 3 to 20 lubrication points of lubrication, VB distributor valve working piece, a variety of specifications of displacement for selection. The double outlet working piece (after the specification value of the working piece, the T represents the double outlet) has two oil outlets, which can be set as the side or upper output; the single outlet (after the specification value of the working piece, the S represents the single outlet) has one oil outlet, which can be at either end of the working piece, and the other end needs to be blocked.

Note: that the double outlet working piece should not block any outlet, otherwise it will affect the normal operation.

Magnetic and electronic proximity switch cycle indicators can be easily configured to provide positive protection for successful lubrication.



Product composition :



- 1 — Initial element
- 2 — End element
- 3 — Divider element
- 4 — Plunger
- 5 — Sasket
- 6 — Plug
- 7 — O-ring:FKM(-20°C~200°C)
- 8 — Screw

Technical data

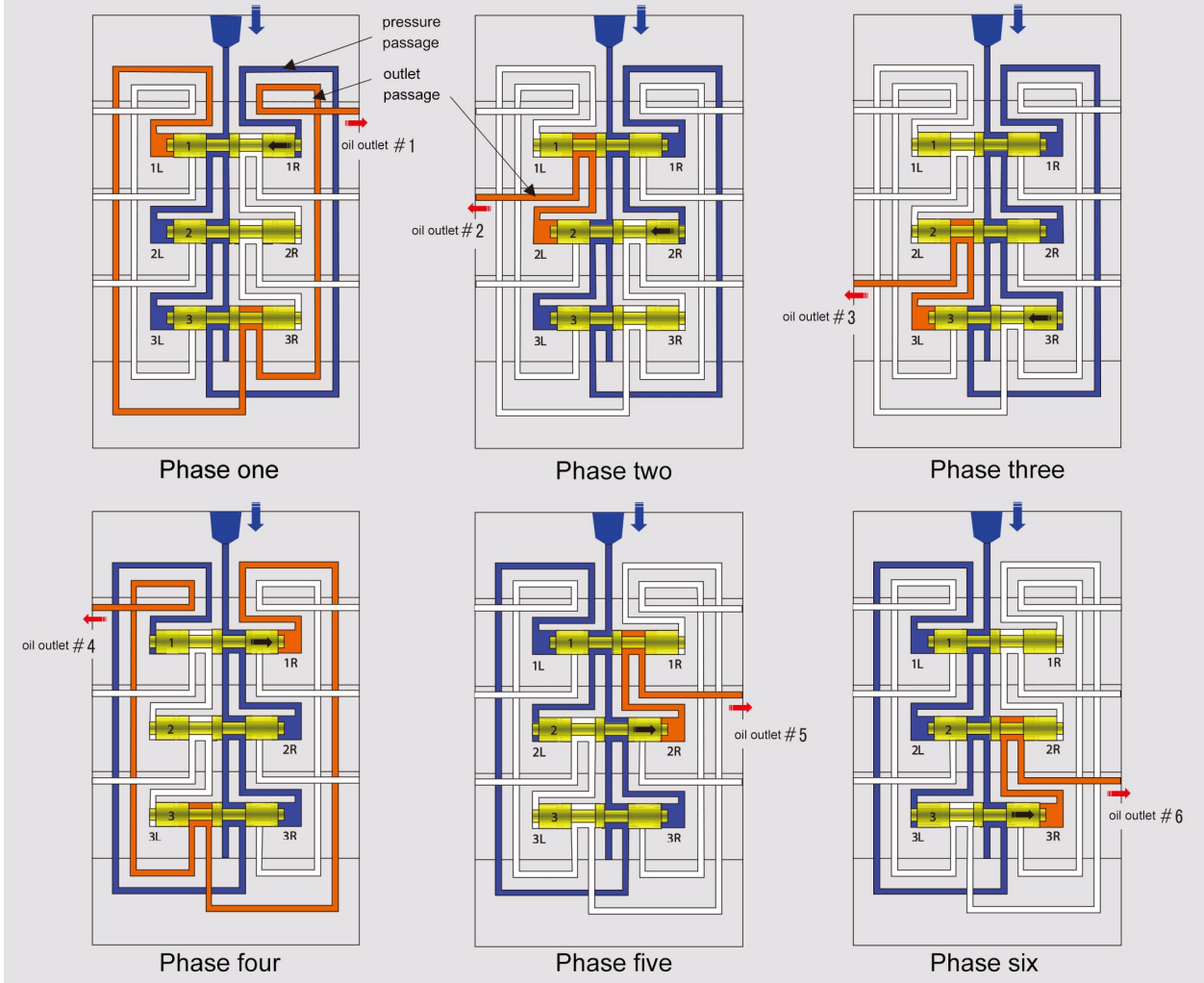
Operating pressure	Max 250 bar
Lubricants	Oil 46 cSt to Grease NLGI-2
Operating temperature	-40 °C to 110 °C
Inlet port	R1/8
Outlet port	M10x1
Outlets	MAX 20
Max inlet	Max 280cyc/min
Coating	Zinc-Nickel plated



VB distributor

Structure and working principle:

Lubricant pressurization: by pump



The pumped lubricant is pressed into the distributor through the first oil inlet.

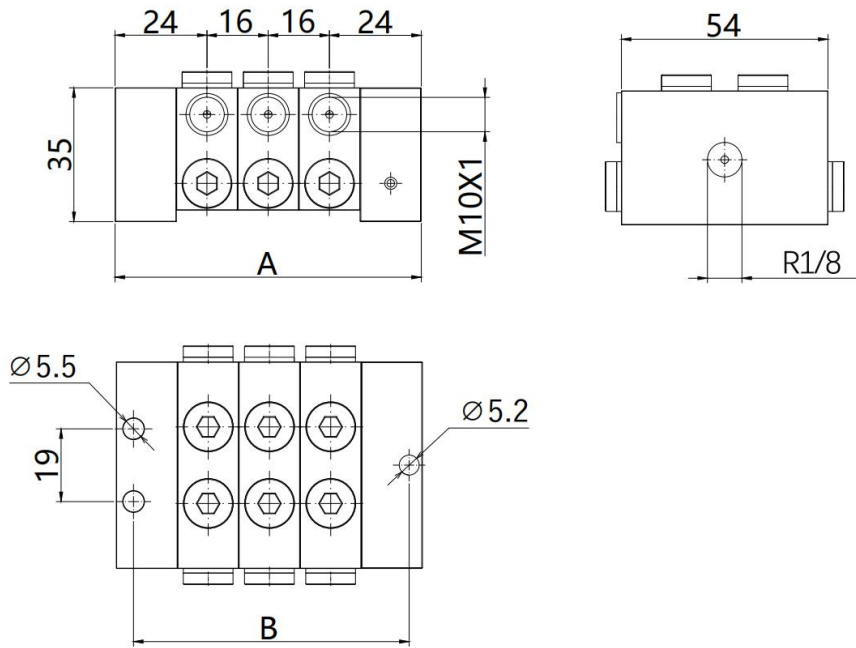
First assume that the 3 plungers of the valve body are all located on the right side, and the inflowing lubricant will enter the 1R, 2L, 3L sides of the valve chamber.

Stage One	The lubricant flowing into the valve chamber 1R pushes the plunger 1 to the left end, and the plungers 2 and 3 are fixed. The plunger 1 moves from right to left, while the lubricant in the 1L valve chamber flows along the oil outlet from the oil #1 squirting.
Stage Two	When the plunger 1 moves to the left end and stops, the lubricant pressure of the push plunger 1 is transferred to the valve chamber 2R side, the push plunger 2 moves from the right to the left, and the lubricant at 2L is sprayed from the oil outlet #2
Stage Three	When the plunger 2 stops at the left end, the pressure drop of the lubricant in the push plunger 2 is transferred to the valve chamber 3R side, the push plunger 3 moves from the right to the left, and the lubricant located in the valve chamber 3 is ejected from the oil outlet #3 . When plunger 3 stops at the left end, all plungers will be on the left.
Stage Four ~ Stage Six	Then start from the plunger 1 and push it from the left to the right, the lubricants in the valve chambers 1R, 2R, 3R are sprayed from the oil outlets #4, #5, #6.

The above process of stages 1-6 is repeated as the lubricant continues to be delivered to the dispenser.



Dimensions:



Number of work	A(mm)	B(mm)
3	80	72
4	96	88
5	112	104
6	128	120
7	144	136
8	160	152
9	176	168
10	192	184

Notes: A and B in the above table are theoretical values, which may have errors with real objects due to the influence of cumulative assembly errors of distributors.



Ordering information:



VB-

<p>Element Number 3-10</p>
<p>Inlet Connetor shape A= Without inlet and outlet connectors D= Straight fitting assembly H= Angle fitting assembly</p>
<p>Inlet Connetor 6=Ø6 8=Ø8</p>
<p>Flow rate (ml) 05= 0.08 10= 0.16 15= 0.23 20= 0.32</p>
<p>Outlets T= Double exit SL= Left single exit SR= Right single exit</p>
<p>Cycle control UL= Proximity sensor /Left UR= Proximity sensor /Right VL= Visible left VR= Visible Right</p>
<p>Poessure Control M= Safety valve P= Indicator rod (10Mpa、15Mpa、20Mpa)</p>
<p>Outlet Connetor S6= Ø6mm Fitting with check valve K6= Ø6mm Quick Fitting M6=Ø6mm Nut and fellule</p>



VE

分配器

For the progressive delivery of mineral oil and grease for lubrication.

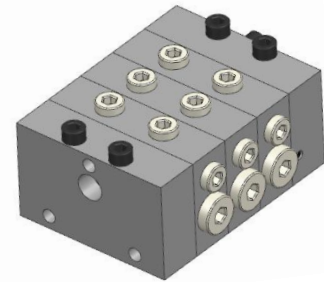
For Professional Use Only.

Maximum Operating Pressure - 3600 psi
(250 bar, 25 MPa)



Divider elements for THE volumetric distributor of oils and grease

A typical VE distributor valve consists of a "first piece", a "tail piece" and 3 to 10 working pieces. Can provide 3 to 20 lubrication points of lubrication, VE distributor valve working piece, a variety of specifications of displacement for selection. The double outlet working piece (after the specification value of the working piece, the T represents the double outlet) has two oil outlets, which can be set as the side or upper output; the single outlet (after the specification value of the working piece, the S represents the single outlet) has one oil outlet, which can be at either end of the working piece, and the other end needs to be blocked. Note: that the double outlet working piece should not block any outlet, otherwise it will affect the normal operation.



Magnetic and electronic proximity switch cycle indicators can be easily configured to provide positive protection for successful lubrication

Characteristics

- Universal use in continuous or intermittent operation
- Internal consolidation of outlets
- The built-in check valve can ensure the accuracy of each lubricant filling flow
- Visual or electrical monitoring optional

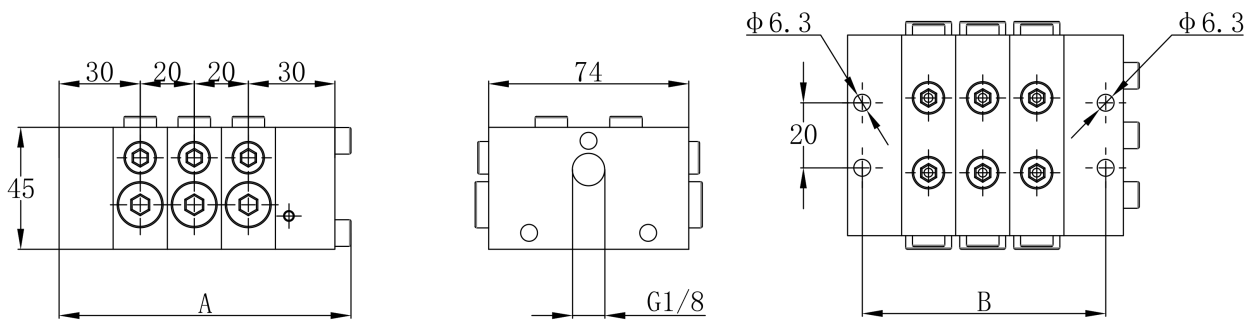
Applications

- Metal forming machines
- Vehicles
- Production machines of automotive industry
- Packaging machines
- Printing industry
- Construction and mining
- Farm machinery



Technical parameters	
Operating pressure	Max 25Mpa
Lubricants	Oil 46 cSt to Grease NLGI-2
Operating temperature	-40 °C to 110 °C
Inlet port	G1/8
Outlet port	M10x1
Outlets	Max. 20
Max. number of operations	Max. 200cyc/min (无指示杆时) Max.60cyc/min (安装指示杆时)
Coating	Zinc-Nickel plated

Dimensions:



Number of work	A(mm)	B(mm)	Number of work	A(mm)	B(mm)
3	107.9	90	7	187.9	170
4	127.9	110	8	207.9	190
5	147.9	130	9	227.9	210
6	167.9	150	10	247.9	230

Notes:A and B in the above table are theoretical values, which may have errors with real objects due to the influence of cumulative assembly errors of distributors.

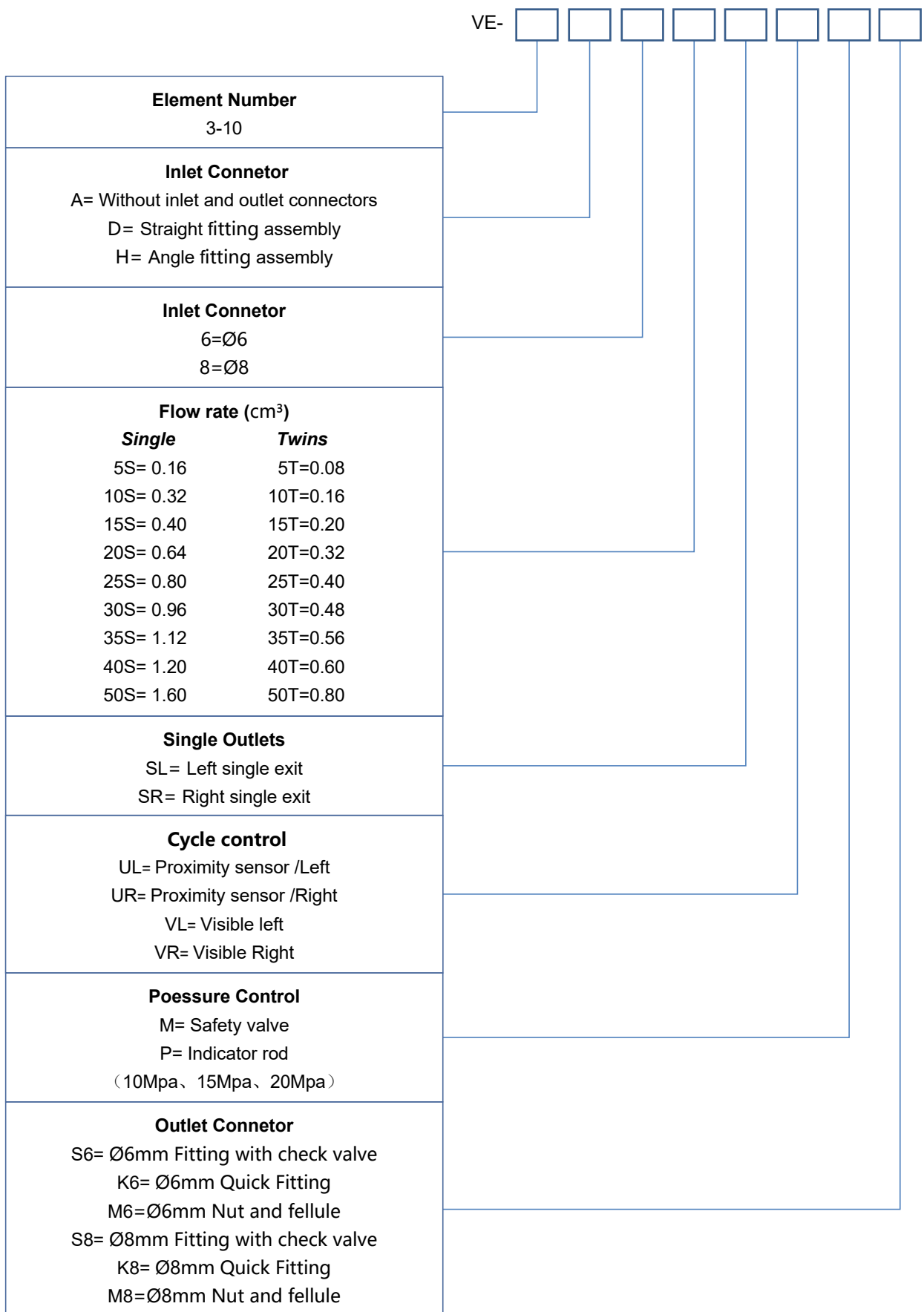


VE distributor

Elements specification	Discharge (for outlet) (ml/cyc)	Max. Pressure	Min. Pressure	Number of oil outlets per piece
VE-05S	0.16	25Mpa	1.4Mpa	1
VE-05T	0.08	25Mpa	1.4Mpa	2
VE-10S	0.32	25Mpa	1.4Mpa	1
VE-10T	0.16	25Mpa	1.4Mpa	2
VE-15S	0.40	25Mpa	1.4Mpa	1
VE-15T	0.20	25Mpa	1.4Mpa	2
VE-20S	0.64	25Mpa	1.4Mpa	1
VE-20T	0.32	25Mpa	1.4Mpa	2
VE-25S	0.80	25Mpa	1.4Mpa	1
VE-25T	0.40	25Mpa	1.4Mpa	2
VE-30S	0.96	25Mpa	1.4Mpa	1
VE-30T	0.48	25Mpa	1.4Mpa	2
VE-35S	1.12	25Mpa	1.4Mpa	1
VE-35T	0.56	25Mpa	1.4Mpa	2
VE-40S	1.20	25Mpa	1.4Mpa	1
VE-40T	0.60	25Mpa	1.4Mpa	2
VE-50S	1.60	25Mpa	1.4Mpa	1
VE-50T	0.80	25Mpa	1.4Mpa	2



Ordering information:





CisoLube[®]
LUBRICATION SYSTEM

VSP VALVE

VSP modular distributor valve can ensure accurate lubrication

Maximum Operating Pressure
25Mpa



Characteristics

- Three kinds of thread are available: R, NPT, BSPP
- Nickel-plated steel
- Oil-NLGI 2
- FKM O RING
- CE certification

VSP modular distributor valve

VSP modular distributor valve can ensure accurate lubrication, and is suitable for all kinds of harsh conditions, is a perfect lubricant distributor solution

The divider consists of two main parts:

- THE BASE (consisting of a minimum of three elements)
- THE METERING VALVES (available with both a single outlet as well as a double one)



To maximize the performance of the plant, it is crucial to use electrical monitoring elements that detect malfunctioning or system blockage.

Thanks to its modularity, the system can be easily expanded and replacement of metering elements can occur without removing the pipework, thereby guaranteeing low maintenance costs. The modularity of the dividers furthermore allows you to bundle lubrication points according to system requirements.

Typical applications: automobile, industrial, equipment, wind power, construction machinery, etc.

Modular overall supply, save assembly time for customers.

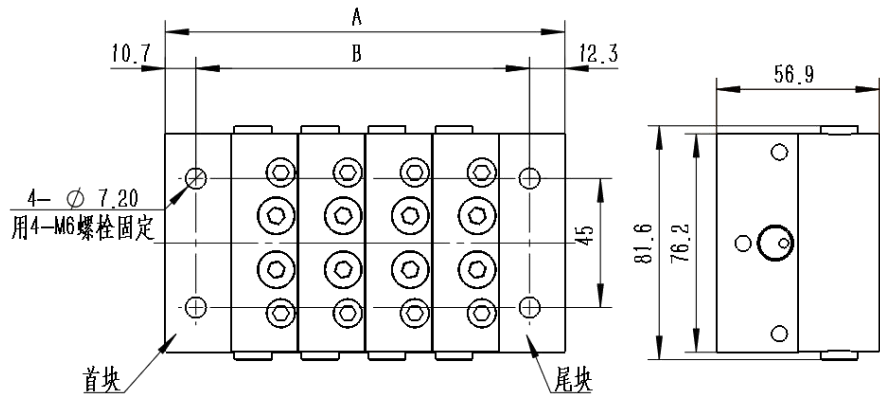
Stainless steel is available.



Parameter

- Max. Pressure: 25Mpa
- Standard displacement: 0.08--1.3ml/cyc
- Lubricant: Oil 32 CST— NLGI 2
- operating ambient temperature: - 30°C-- +150°C
- Maximum cycle speed with cycle indicator: 60cyc/min
- Number of lubricating points available: 3--22 point

Dimensions:



Number of work	A(mm)	B(mm)	Number of work	A(mm)	B(mm)
3	139.6	116.6	8	256.6	233.6
4	163	140	9	280	257
5	186.4	163.4	10	303.4	280.4
6	209.8	186.8	11	326.8	303.8
7	233.2	210.2			

Note: A and B in the above table are theoretical values, which may have errors with real objects due to the influence of cumulative assembly errors of distributors.

Ordering information:

VSP block model

Comprising an inlet, a middle block, a tail block, a connecting rod and a nut

Ref	Maximum export quantity	Number of Sections	Model		Dimensions (for reference only)	
			R	G	A	B
2/3/4/5/6	6	3	56R03	56G03	3.6in (91.4mm)	4.6in (116.8mm)
	8	4	56R04	56G04	4.5in (114.3mm)	5.0in (127.0mm)
	10	5	56R05	56G05	5.4in (137.2mm)	6.4in (162.6mm)
	12	6	56R06	56G06	6.3in (160.0mm)	7.4in (188.0mm)
	14	7	56R07	56G07	7.3in (185.4mm)	8.3in (210.8mm)
	16	8	56R08	56G08	8.2in (208.3mm)	9.2in (233.7mm)

To order 316L stainless steel, please add suffix -SS to the order number



Model of VSP distributor valve

Working valve block of VSP valve (must be ordered in multiples of 5)

Ref	out	Description	in ³ (cm ³)	Model		
				Standard valve block	With circulating pin-right	With circulating pin-left
1	Single	VSP-5S	0.010(0.16)	61911	Not applicable	
		VSP-10S	0.020(0.33)	61912		
		VSP-15S	0.030(0.49)	61913		
		VSP-20S	0.040(0.66)	61914	61914RD	61914LD
		VSP-25S	0.050(0.82)	61915	61915RD	61915LD
		VSP-30S	0.060(0.98)	61916	61916RD	61916LD
		VSP-35S	0.070(1.15)	61917	61917RD	61917LD
		VSP-40S	0.080(1.31)	61918	61918RD	61918LD
	Twins	VSP-5T	0.005(0.08)	61919	Not applicable	
		VSP-10T	0.010(0.16)	61920		
		VSP-15T	0.015(0.26)	61921		
		VSP-20T	0.020(0.33)	61922	61922RD	61922LD
		VSP-25T	0.025(0.41)	61923	61923RD	61923LD
		VSP-30T	0.030(0.49)	61924	61924RD	61924LD
		VSP-35T	0.035(0.57)	61925	61925RD	61925LD
VSP-40T	0.040(0.66)	61926	61926RD	61926LD		

VSP overall model ordering information

Type	Elements Number	Model	Inlet oil pipe diameter	Outlet oil pipe diameter	Proximity sensor	Material
VSP	3-11	See the selection table	12 - Ø12mm	8 - Ø8mm	NO - Blank	NO—Carbon steel

10 - Ø10mm

6 - Ø6mm

W-With proximity sensor

SS-316L

Ordering example:

8 - Ø8mm

VSP-3-5S-5S-5S-12-S6-RD-W-SS

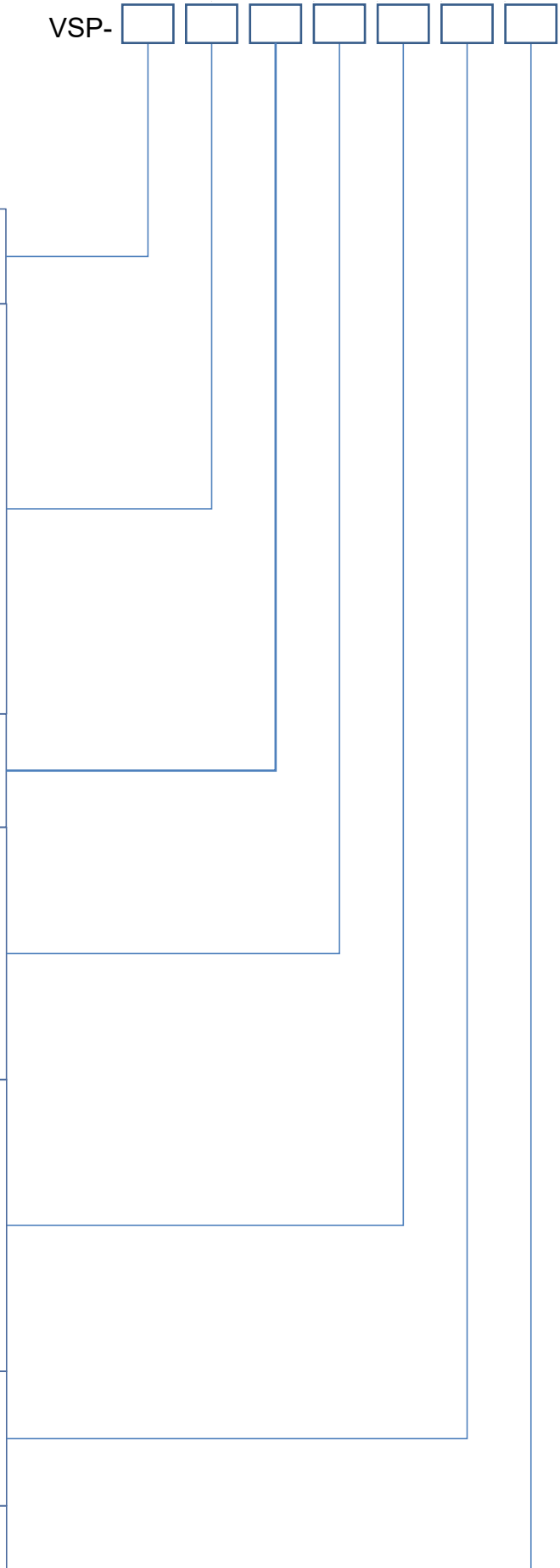
6 - Ø6mm





VSP-

Element Number	
3-11	
Flow rate (cm³)	
Single	Twins
5S= 0.16	5T=0.08
10S= 0.33	10T=0.16
15S= 0.49	15T=0.26
20S= 0.66	20T=0.33
25S= 0.82	25T=0.41
30S= 0.98	30T=0.49
35S= 1.15	35T=0.57
40S= 1.31	40T=0.66
Single Outlets	
SL= Left single exit	
SR= Right single exit	
Inlet Connector	
A=Without inlet and outlet connectors	
6=Ø6	
8=Ø8	
10=Ø10	
12=Ø12	
Outlet Connector	
S6= Ø6mm Fitting with check valve	
K6= Ø6mm Quick Fitting	
M6=Ø6mm Nut and ferrule	
S8= Ø8mm Fitting with check valve	
K8= Ø8mm Quick Fitting	
M8=Ø8mm Nut and ferrule	
Cycle Control	
RD = With circulating pin-right	
LD = With circulating pin-left	
Proximity sensor	
Blank = No Proximity sensor	
W = With Proximity sensor	

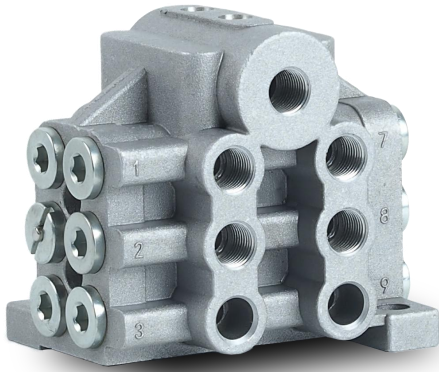


DU VALVE

Series DU high-pressure
distributor valve

Maximum Operating Pressure
8Mpa





DU is a fuel dispenser with advanced design and reasonable structure

Can be used for medium pressure and wide temperature change conditions, it can be combined with manual, electric pumps and other single-line lubrication system, suitable for a variety of small machine tools and punches, plastic machinery

equipment, or large single-line lubrication system of the sub-distributor, and similar applications of the ideal products. A bank of DU dispensers typically provides lubrication with 4, 6, 8, 10, or 12 lubrication points.

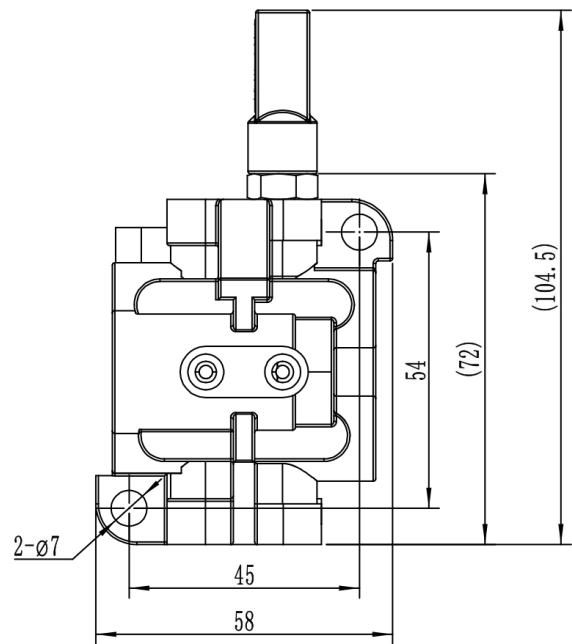
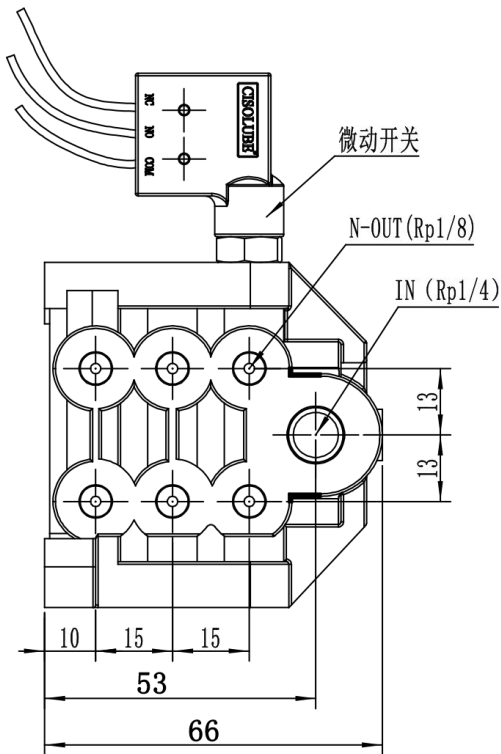
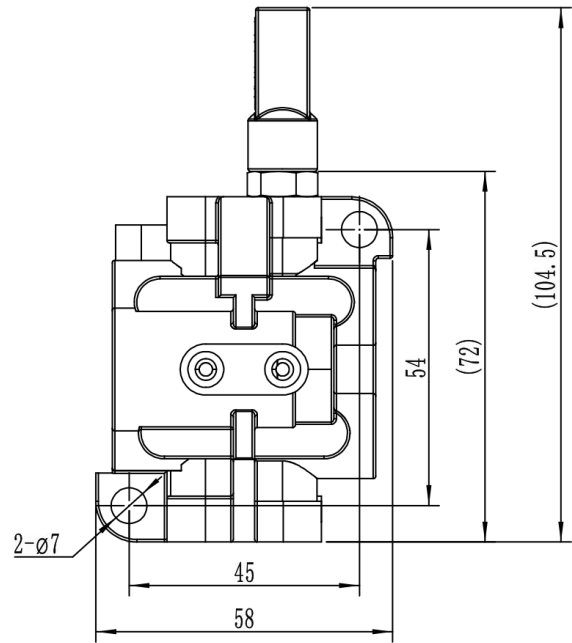
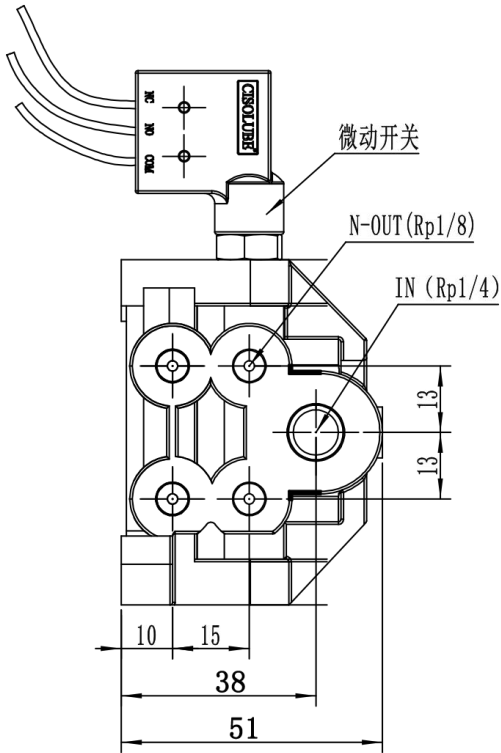
The displacement of each hole is 0.3cc/cy.

For the oil outlet of the distributor, do not plug any oil outlet, otherwise it will affect its normal work and damage the distributor.

Technical data	
Operating pressure	8Mpa
Discharge (for outlet)	0.3cc/cyc
Lubricants	000~1#
Inlet port	R1/4
Outlet port	R1/8
Operating temperature	-10°C ~ +60°C
Maximum cycle speed with cycle indicator	60cy/min
Maximum circulation rate of plunger pair	200cy/min
The number of outlets of the distributor	4、6、8、10、12
Optimum pipe diameter and length for distributor output	Ø4mm 0.5~2.5m
Valve materials	Aluminium alloy



Dimensions:





DU-

<p>Outlet Number</p> <p>04=4</p> <p>06=6</p> <p>08=8</p> <p>10=10</p> <p>12=12</p>	
<p>Inlet fitting shape</p> <p>A=Without inlet and outlet connectors</p> <p>D= Straight fitting</p> <p>H= Angle fitting</p>	
<p>Inlet Connector</p> <p>06=Ø6mm</p> <p>08=Ø8mm</p>	
<p>Type</p> <p>Blank=without pin</p> <p>Visual Pin</p> <p>CXX=Which outlet to install</p> <p>With Sensor</p> <p>EXX=Which outlet to install</p>	
<p>Plug</p> <p>XD=3-20</p>	
<p>Outlet Connector</p> <p>S6= Ø6mm Fitting with check valve</p> <p>K6= Ø6mm Quick Fitting</p> <p>M6=Ø6mm Nut and ferrule</p> <p>S4= Ø4mm Fitting with check valve</p> <p>K4= Ø4mm Quick Fitting</p> <p>M4=Ø4mm Nut and ferrule</p>	



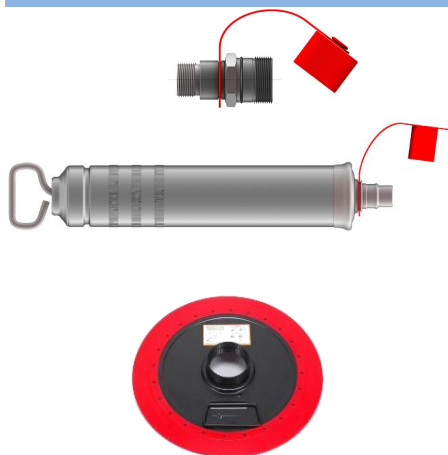
Lubrication System Accessories

SIMPLE SOLUTIONS to
PRECISELUBRICATION



Lubrication parts

Follow plate and grease gun kits:



Description	Part number	Grease fitting
Grease Gun Kits	MG500	Standard Connector
Grease Gun Kits	MG500-C	Grease fitting with check valve
Description	Part number	Oil drum
Follower Plate	95660C	16KG

Electric lubrication pump accessories

Pump outlet assembly



Grease filling connector



Part number	Description	Pressure	OD
80532PG	With pressure gauge	10MPa	6mm
80532PG-8			8mm
80532	Without pressure gauge		6mm
80532-8			8mm
80533PG	With pressure gauge	25MPa	6mm
80533PG-8			8mm
80533	Without pressure gauge		6mm
80533-8			8mm

Part number	Description	Thread
80220	Male connector	R1/4
80221	Female connector	R1/4

GT Pumping Element



GM Pumping Element



Part number	OD	Rated flow
80536	6mm	4ml/min
80537	7mm	5ml/min

Part number	OD	Rated flow
88536	6mm	P6; 5ml/min



Safety valve



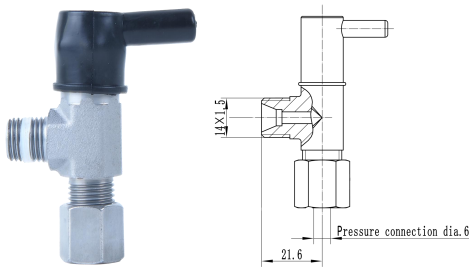
Part number	Pressure	Male thread
5FI05	207bar/3000psi	M10*1

Safety valve



Part number	Pressure	Male thread
5FI07	275bar/4000psi	M10*1

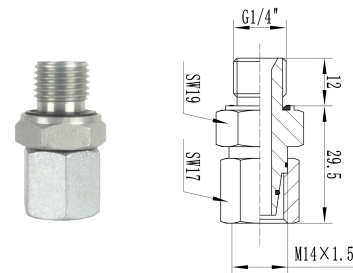
Safety valve



Part number	OD	Male thread	Pressure
5FJ01	φ6	M14*1.5	345bar/5000psi

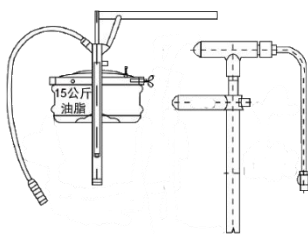
Straight fitting assembly

Use with 5FJ01



Part number	Female thread	Male thread	Material
5G1404	M14*1.5	G1/4 ED	Zinc plated

Manual oiling sprayer



Description	Part number
Simple Type	GF50
With cover and follower plate	PGF50

Pressure switch



Description	Part number
Adjustable Type	91346
Fixed pressure - 20MPa	96520
Fixed pressure - 25MPa	96521
Fixed pressure - 3.5MPa	96522



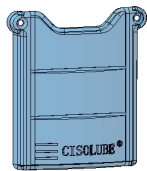
Lubrication parts

Pump connection cable Cable for connection of sensor(Low level sensor& pressure switch sensor)



Description	Part number	Description	Part number
DIN; 4Core; 3M	12703	M12X1; 4Core; 2M	13702
DIN; 4Core; 10m	12710		
DIN; 4Core; 15M	12715		

Controller shield Mounting bracket



Description	Part number	Type	Description	Part number	Type
PC	97116	GT/GW	Mounting bracket	90234	GT/GW
PC	97117	GM	Mounting bracket	90235	GM

Cartridge Button with green lamp



Description	Part number	Reservoir	Description	Part number
Cartridge	CSL-J100	700CC	12V	90212
Cartridge	CSL-C100	700CC	24V	90224



Straight fitting with check valve
Push in 25Mpa



Part number	OD	Thread	Material
FP1104M10	Ø4	M10*1	Zinc plated
FP1106M10	Ø6	M10*1	Zinc plated

Straight fitting

Push in 25Mpa



Part number	OD	Thread	Material
HPQ1106M10	Ø6	M10*1	Zinc plated

Straight fitting assembly



Part number	OD	Thread	Material
5DM0602	Ø6	R1/8	Zinc plated
5DM0610	Ø6	M10*1	Zinc plated
5DM0608	Ø6	M8*1	Zinc plated
5DM0606	Ø6	M6*1	Zinc plated
5DM0402	Ø4	R1/8	Zinc plated
5DM0410	Ø4	M10*1	Zinc plated
5DM0408	Ø4	M8*1	Zinc plated
5DM0406	Ø4	M6*1	Zinc plated

Angle fitting assembly



Part number	OD	Thread	Material
5HM0602	Ø6	R1/8	Zinc plated
5HM0610	Ø6	M10*1	Zinc plated
5HM0608	Ø6	M8*1	Zinc plated
5HM0606	Ø6	M6*1	Zinc plated
5HM0402	Ø4	R1/8	Zinc plated
5HM0410	Ø4	M10*1	Zinc plated
5HM0408	Ø4	M8*1	Zinc plated
5HM0406	Ø4	M6*1	Zinc plated

Straight fitting with check valve 25Mpa



Part number	OD	Thread	Material
5CM0610	Ø6	M10*1	Zinc plated

Straight fitting with check valve



Part number	Thread	Thread	Material
5DC10	M10*1	M10*1	Zinc plated



Lubrication parts

Straight fitting assembly Straight fitting with check valve



Part number	OD	Thread	Material	Part number	OD	Thread	Material
5PM0610	Ø6	NPT1/8	Zinc plated	S14-06	Ø6	M10*1	Zinc plated

Straight fitting Angle fitting assembly



Part number	Thread	Thread	Material	Part number	OD	Thread	Material
5GN02	NPT1/8	NPT1/8	Zinc plated	5NM0610	Ø6	NPT1/8	Zinc plated

Straight fitting BANJO



Part number	OD	Thread	Material	Part number	OD	Thread M	Material
5SF0610	Ø6	M10*1	Zinc plated	5C0602	Ø6	R1/8	Zinc Color-plated
				5C0610	Ø6	M10*1	

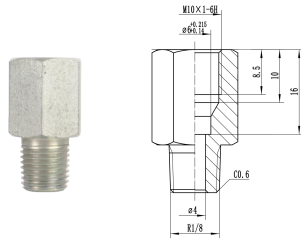
BANJO With grease Nipples BANJO Without grease Nipples



Part number	Thread	Material	Part number	OD	Thread	Material
31M10	M10*1	Zinc plated	BN0610	Ø6	M10*1	Zinc plated



Straight fitting



Part number	Thread M	Thread F	Material
5G0210	R1/8	M10*1	Zinc plated
5G0808	M8*1	M8*1	Zinc plated
5G0404	R1/4	R1/4	Zinc plated

Extension fitting assembly



Part number	OD	Thread M	Material
5KM0602	Ø6	R1/8	Zinc plated
5KM0610	Ø6	M10*1	Zinc plated
5KM0608	Ø6	M8*1	Zinc plated
5KM0606	Ø6	M6*1	Zinc plated
5KM0402	Ø4	R1/8	Zinc plated
5KM0410	Ø4	M10*1	Zinc plated
5KM0408	Ø4	M8*1	Zinc plated
5KM0406	Ø4	M6*1	Zinc plated

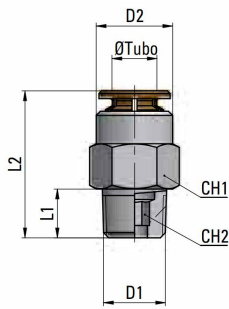
Straight tube-to-tube connectors



Part number	OD	OD	Material
5D0404	Ø4	Ø4	Zinc plated
5D0406	Ø4	Ø6	Zinc plated
5D0606	Ø6	Ø6	Zinc plated
5D0608	Ø6	Ø8	Zinc plated
5D0808	Ø8	Ø8	Zinc plated

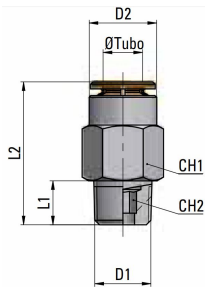


Taper Straight, Male 10Mpa



Part number	OD	D1	D2	L1	L2
MP110418	Ø4	R1/8	9	7.5	18.5
MP1104M6	Ø4	M6*1.0	9	8	23
MP1104M8	Ø4	M8*1.0	9	8	20
MP1104M10	Ø4	M10*1.0	9	8	20
MP110618	Ø6	R1/8	12	7.5	21.5
MP1106M6	Ø6	M6*1.0	12	8	25.5
MP1106M8	Ø6	M8*1.0	12	8	25.5
MP1106M10	Ø6	M10*1.0	12	8	22

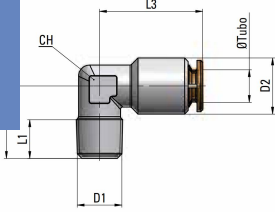
Taper Straight, Male 25Mpa



Part number	OD	D1	D2	L1	L2
HP110418	Ø4	R1/8	9.5	7.5	21
HP1104M6	Ø4	M6*1.0	9.5	8	25
HP1104M8	Ø4	M8*1.0	9.5	8	25
HP1104M10	Ø4	M10*1.0	9.5	8	22.5
HP110618	Ø6	R1/8	11.5	7.5	24
HP1106M6	Ø6	M6*1.0	11.5	8	28
HP1106M8	Ø6	M8*1.0	11.5	8	28
HP1106M10	Ø6	M10*1.0	11.5	8	24.5

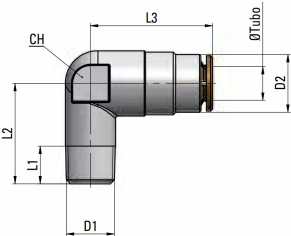


Taper Elbow Fitting, Male 10Mpa



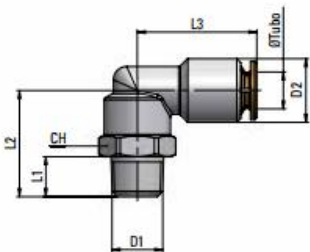
Part number	OD	D1	D2	L1	L2
MP140418	Ø4	R1/8	9	7.5	15.5
MP1404M6	Ø4	M6*1.0	9	8	17
MP1404M8	Ø4	M8*1.0	9	8	17
MP1404M10	Ø4	M10*1.0	9	8	18
MP140618	Ø6	R1/8	12	7.5	15.5
MP1406M6	Ø6	M6*1.0	12	8	17
MP1406M8	Ø6	M8*1.0	12	8	17
MP1406M10	Ø6	M10*1.0	12	8	18

Taper Elbow Fitting, Male 25Mpa



Part number	OD	D1	D2	L1	L2
HP140418	Ø4	R1/8	9.5	7.5	17
HP1404M6	Ø4	M6*1.0	9.5	8	17
HP1404M8	Ø4	M8*1.0	9.5	8	17
HP1404M10	Ø4	M10*1.0	9.5	8	18
HP140618	Ø6	R1/8	11.5	7.5	20
HP1406M6	Ø6	M6*1.0	11.5	8	20
HP1406M8	Ø6	M8*1.0	11.5	8	20
HP1406M10	Ø6	M10*1.0	11.5	8	21

Taper Elbow Fitting, Male, Rotatable 10Mpa

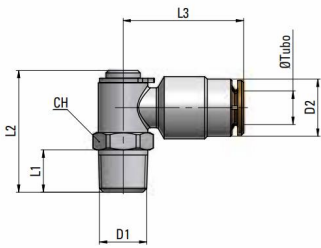


Part number	OD	D1	D2	L1	L2
MP150418	Ø4	R1/8	9	7.5	20
MP1504M6	Ø4	M6*1.0	9	8	20.5
MP1504M8	Ø4	M8*1.0	9	8	20.5
MP1504M10	Ø4	M10*1.0	9	8	20.5
MP150618	Ø6	R1/8	12	7.5	20
MP1506M6	Ø6	M6*1.0	12	8	21.5
MP1506M8	Ø6	M8*1.0	12	8	21.5
MP1506M10	Ø6	M10*1.0	12	8	21.5



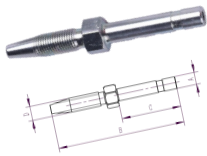
Lubrication parts

Taper Elbow Fitting, Male, Rotatable 25Mpa



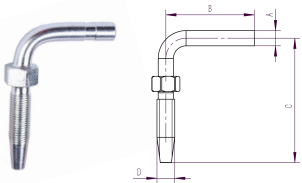
Part number	OD	D1	D2	L1	L3
HP180418	Ø4	R1/8	9.5	8.5	22
HP1804M6-1	Ø4	M6*0.75	9.5	6	22
HP1804M6	Ø4	M6*1	9.5	8	22
HP1804M8	Ø4	M8*1	9.5	8	22
HP1804M10	Ø4	M10*1	9.5	8	22
HP180618	Ø6	R1/8	11.5	8.5	24
HP180614	Ø6	R1/4	11.5	11	24
HP1806M6	Ø6	M6*1	11.5	8	24
HP1806M8	Ø6	M8*1	11.5	8	24
HP1806M10	Ø6	M10*1	11.5	8	24

Hose coupling straight



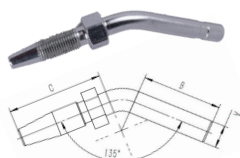
Part number	A	B	C	D	Material
ZZ06	Ø6	60	30	M7*1	Zinc plated
ZZ06-1(short)	Ø6	54.5	21.5	M7*1	
ZZ0610	Ø6	63	30	M10*1	
ZZ08	Ø8	63	30	M10*1	

Hose coupling bent



Part number	A	B	C	D	Material
WZ06	Ø6	32	45	M7*1	Zinc plated
WZ0610	Ø6	32	45	M10*1	
WZ06-1(short)	Ø6	20	45	M7*1	
WZ08	Ø8	35	50	M10*1	

135°Hose coupling bent



Part number	Pipe diameter	B	C	Material
WZ13506	Ø6	30	36	Zinc plated



Threaded sleeve



Outlet plug

30Mpa



5PG10



5PC10

Part number	Pipe diameter	Thread	Material	Part number	Thread	Material	Description
WO06	Ø6	M7*1	Zinc plated	5PG10	M10*1	Nickel plated	to Integral distributor
WO08	Ø8	M10*1	Zinc plated	5PC10	M10*1	Zinc plated	to Chip distributor

Ferrule



Nuts

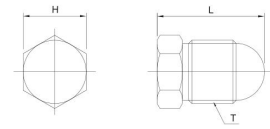
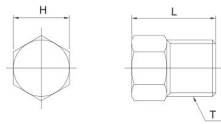


Part number	Thread	TUBE O.D.	MPa	Part number	TUBE O.D.	MPa
NLL-08	M8*1	Ø4	Super light series LL	RLL-04	Ø4	Super light series LL
NLL-10	M10*1	Ø6		RLL-06	Ø6	
NL-12	M12*1.5	Ø6	Light series L	RL-06	Ø6	Light series L
NL-14	M14*1.5	Ø8		RL-08	Ø8	
NL-16	M16*1.5	Ø10		RL-10	Ø10	
NL-18	M18*1.5	Ø12		RL-12	Ø12	



Lubrication parts

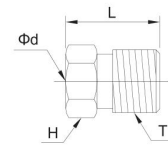
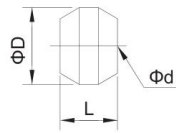
Plane-end plug Sleeve pipe plug



Part number	L	T	H
3G0408	12	M8*1.0	8
3G0601	14	PT1/8	10

Part number	L	T	H
3G04	16	M8*1.0	8
3G06	17	M10*1.0	10

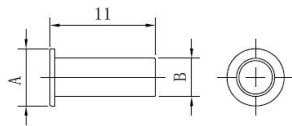
Sleeve pipe Sleeve pipe cap



Part number	OD	Ød	ØD	L
3B04	4	4.1	6	4.5
3B06	6	6.1	8	5
3B08	8	8.1	11	7
3B10	10	10.1	13.5	8

Part number	OD	Ød	ØD	L
3A04	4	4.1	12	4.5
3A06	6	6.1	12.5	5
3A08	8	8.1	14	7
3A10	10	10.1	15	8

Inner screw of pipe



Part number	A	B
BF04	4	2
BF0425	4	2.5
BF06	6	4
BF0630	6	3



High-pressure flexible pipe



Nylon tubing

(BP in black; WP in white)

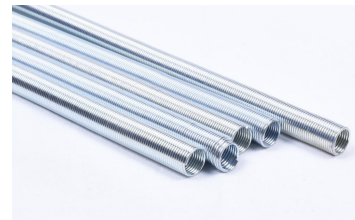


Part number	Outer diameter	Inside diameter	Part number	Outer diameter	Inside diameter
T-HP03	Ø6	Ø3	T-BP06	Ø6	Ø3
T-HP04	Ø8.6	Ø4	T-BP04	Ø4	Ø2.5
T-HP06	Ø11	Ø6.3	T-WP06	Ø6	Ø3
			T-WP04	Ø4	Ø2.5

Steel tubing



Spring coil



Part number	Outer diameter	Inside diameter	Part number	Ød	Suitable pipe outer diameter
T-CP04	Ø4	Ø2	THT04	4.5	4
T-CP06	Ø6	Ø4	THT06	6.5	6
T-CP08	Ø8	Ø6	THT08	11	9.3
T-CP10	Ø10	Ø8			



Lubrication parts

Hose plastic jacket



Part number	Ød	Suitable pipe outer diameter
THL08	8	8.6
THL10	10	11
THL12-1	11	12

Cable tie



Part number	Width	Length	Material
ZDCH5200	5	200	Nylon
ZDCH5300	5	300	Nylon
ZDCH5500	5	400	Nylon

R Pipe clamp



Part number	Ød	Mounting hole
RC06	6	6.4mm
RC08	8	6.4mm
RC10	10	6.4mm
RC12	12	6.4mm
RC14	14	6.4mm
RC16	16	6.4mm
RC18	18	6.4mm
RC20	20	6.4mm
RC22	22	6.4mm
RC25	25	6.4mm
RC28	28	6.4mm
RC30	30	6.4mm



CISO

LUBRICATION SYSTEM

Yantai CISO Lubrication Technology Co.,Ltd

No. 30 Chuangye Road, High-tech Zone, Yantai, Shandong

Tel:+86 400-800-9400 Fax:086-0535-6919567



MADE IN CHINA



www.cisolube.com